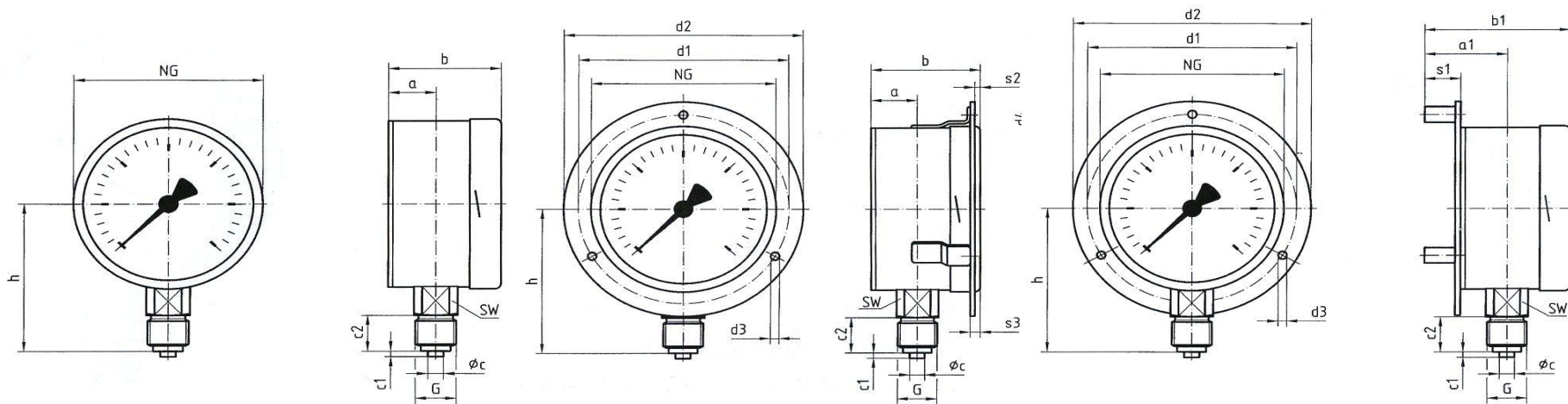




Ashford Instrumentation Ltd
 Tel: 01233 730999
 Fax: 01233 731133
 E-mail: sales@ashfordinstrumentation.com

Drawing Number: WS63BD502&542&592STK
 Product: 63mm Pressure Gauge
 Date: 27 June 2013
 Issue: 1
 Drawing Not To Scale

MODEL: 63mm Full Safety Pattern 63BD502, 63BD542 & 63BD592 Models



Specification

Case: 304 Stainless Steel
 Bezel: 304 Stainless Steel
 Wetted Parts: 316 Stainless Steel
 Mountng: Direct
 Accuracy: Class 1.6
 Window: Safety Glass
 Connection: 1/4" NPT Male

Dimensions In Millimetres

G	NG	h	b	a	c2	c1	φc	d1	d2	d3	b1	a1	s1	s2
1/4" NPT	64.3	54	40	18	12	X	X	75	85	3.6	64	42	24	2.5