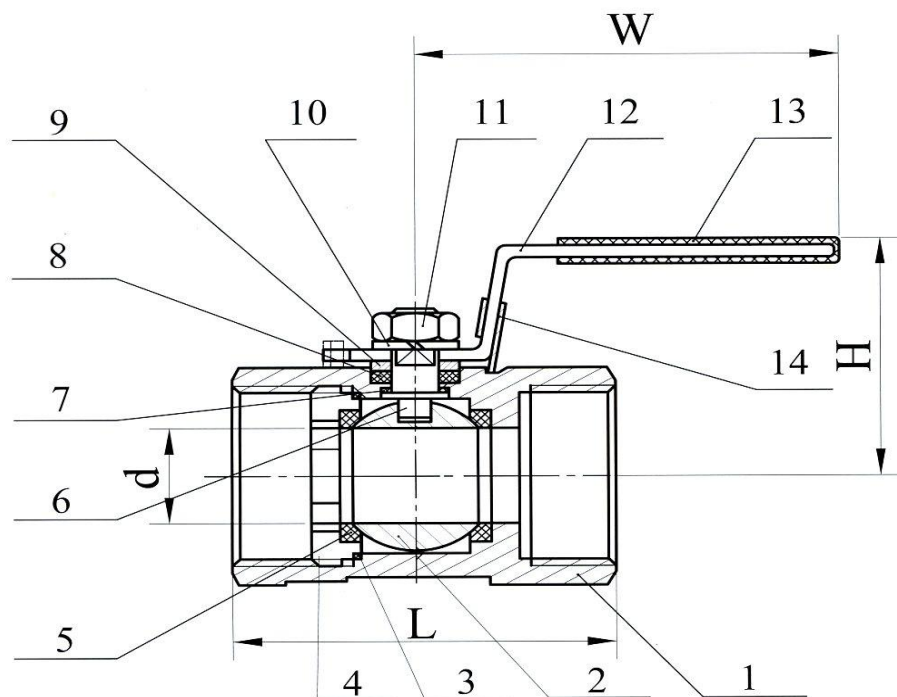




Ashford Instrumentation Ltd
 Tel: 01233 730999
 Fax: 01233 731133
 E-mail: sales@ashfordinstrumentation.com

Drawing Number: AIART901L
Product 1 Piece Ball Valve
Date: 13th January 2014
Issue: 1
Drawing Not To Scale

MODEL: AIART901L 1 Piece Stainless Steel Ball Valve



DN	1/4"	3/8"	1/2"	3/4"	1"	1 1/4"	1 1/2"	2"
d	5	6.8	9.5	12.7	16	20	25	32
L	40	45	56	59	71	76	85	99
H	32	33	43	45	48	58.3	67	74
W	67	67	93	93	93	106	128	128
Torque	4	4	6	6	8	10	14	15
Kgs	0.09	0.12	0.19	0.28	0.39	0.58	0.85	1.35

Dimensions In Millimeters

N.	Part Name	Materials
1	Body	CF8M
2	Ball	Stainless Steel 316
3	Body Gasket	PTFE
4	Cap	CF8M
5	Ball Seat	R-PTFE (15%)
6	Stem	Stainless Steel 316
7	Thrust Washer	PTFE
8	Stem Packing	PTFE
9	Washer	Stainless Steel 304
10	Spring Washer	Stainless Steel 304
11	Nut	Stainless Steel 304
12	Handle	Stainless Steel 304
13	Handle Cover	Plastic
14	Lock Device	Stainless Steel 304