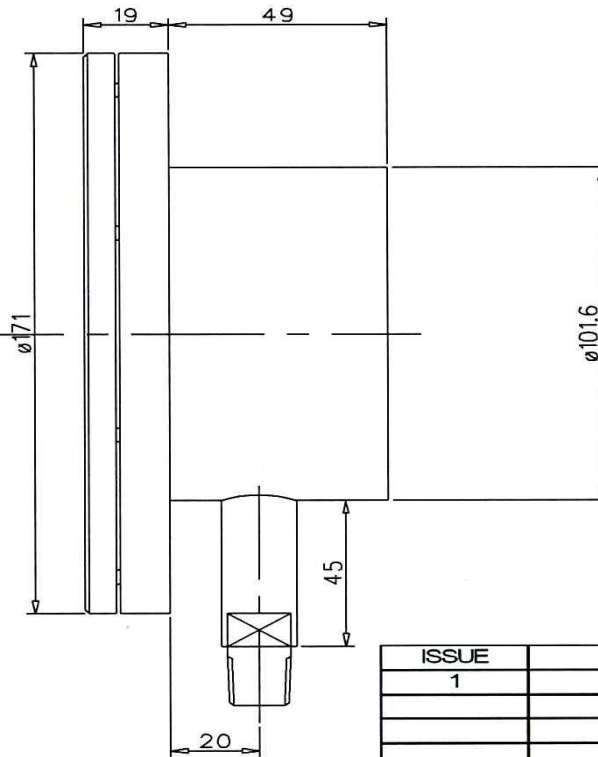
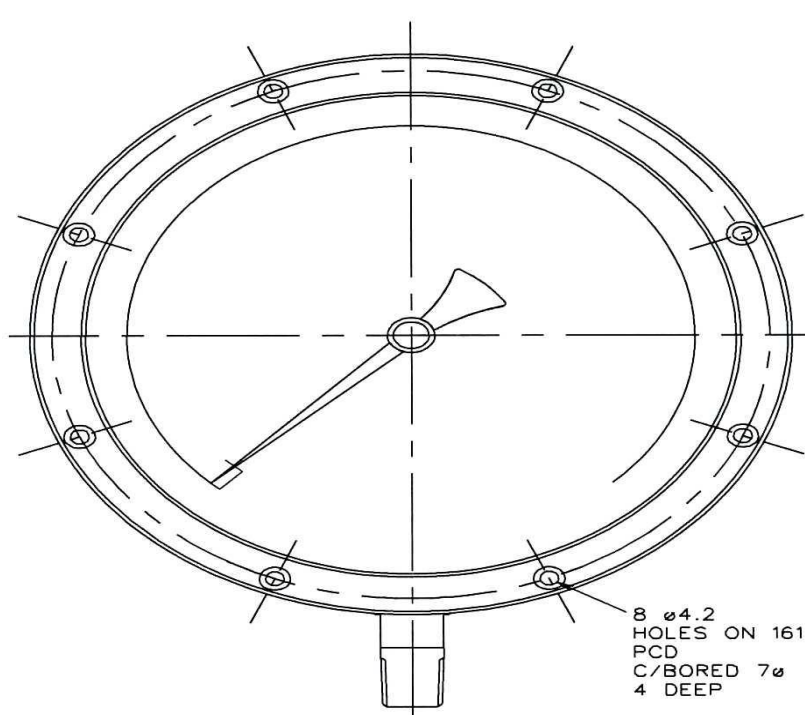




Ashford Instrumentation Ltd  
 Tel: 01233 730999  
 Fax: 01233 731133  
 E-mail: sales@ashfordinstrumentation.com

Drawing Number: DMS800/150/01  
 Product: 150mm Subsea Gauge  
 Date: 30th August 2010  
 Issue: 1  
 Drawing Not To Scale

MODEL: 150mm Compensated Subsea Pressure Gauge Bottom Entry



ISSUE	AMENDMENT	DATE
1	ORIGINAL	19/12/12

Dimensions in MM