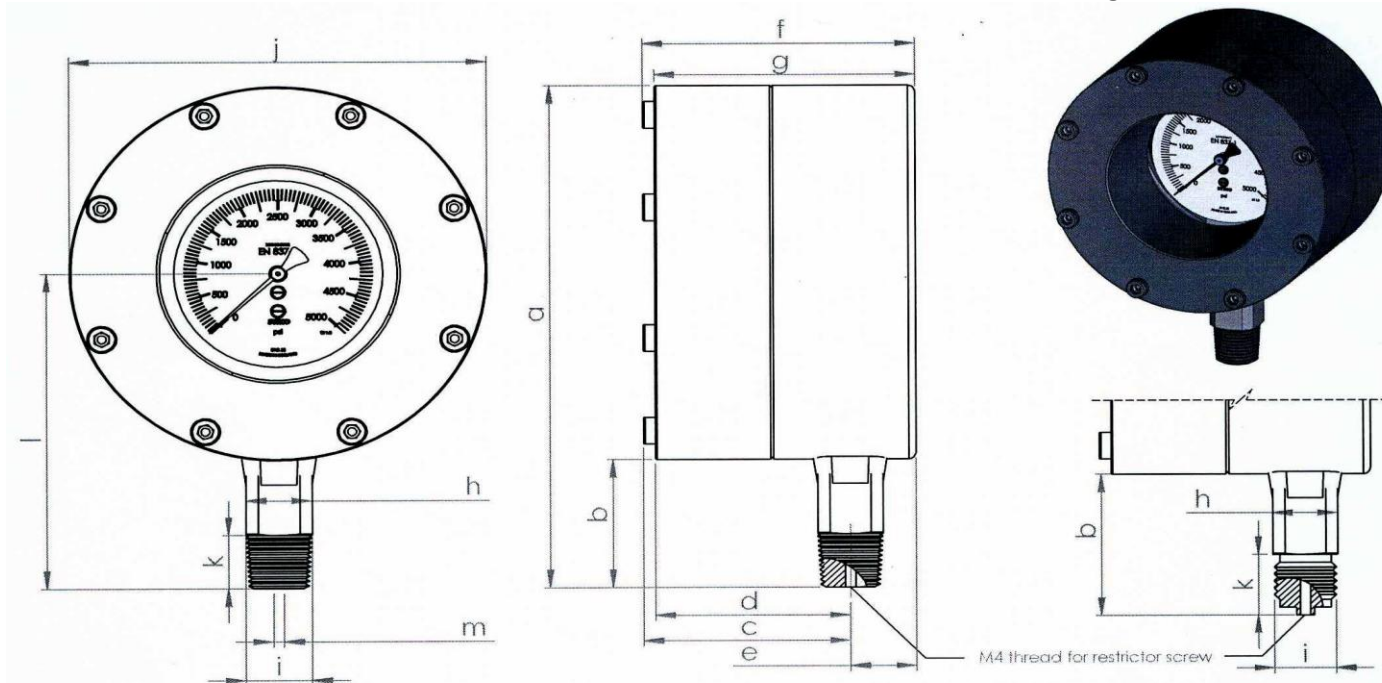




Ashford Instrumentation Ltd
 Tel: 01233 730999
 Fax: 01233 731133
 E-mail: sales@ashfordinstrumentation.com

Drawing Number: DMS700.100(6000)01
 Product Subsea Gauge
 Date: 15th January 2014
 Issue: 1
 Drawing Not To Scale



Dim.	Type	a	b	c	d	e	f	g	h	i	j	k	l	m	Weight
Metric [mm]	BSP	192	53.5	69.75	65.75	22.25	92	88	HEX 22	1/2"	140	24.5	122	3.5	7.75 kg
US (inch)		7.56	2.21	2.75	2.59	.88	3.62	3.46		BSP	5.51	.96	4.80	.14	17.1
Metric [mm]	NPT	188	48	69.75	65.75	22.25	92	88		1/2"	140	20	118	3.5	7.75 kg
Us (inch)		7.40	1.89	2.75	2.59	.88	3.62	3.46		NPT	5.51	.79	4.65	.14	17.1

Specification

Housing: 316 Stainelss Steel Process Connection: 1/2" BSP or NPT
 Wetted Parts: 316 Stainless Steel Accuracy: Class 1