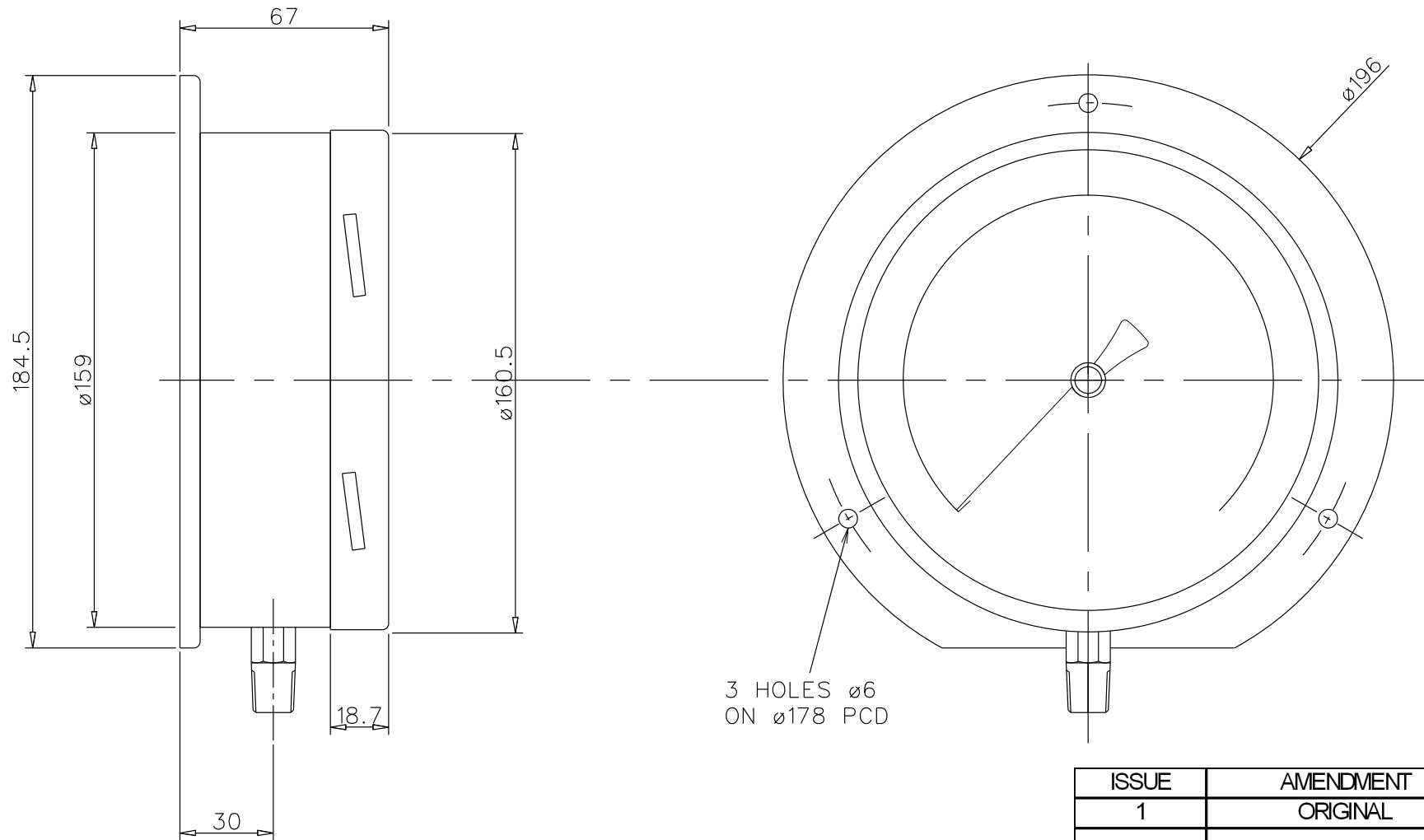


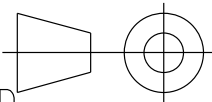
DRG.NO. A 1100



3 HOLES $\phi 6$
ON $\phi 178$ PCD

| ISSUE | AMENDMENT | DATE |
|-------|-----------|----------|
| 1 | ORIGINAL | 03/05/11 |
| | | |
| | | |
| | | |

ALL DIMENSIONS IN mm
TOLERANCES ± 0.2 mm
UNLESS OTHERWISE STATED



Ashford Instrumentation Ltd
0044 (0) 1233 730 999
sales@ashfordinstrumentation.com

SCALE:- N.T.S.

| | |
|----------|--------------------------------|
| Title | 160MM SM CAISSON GAUGE OUTLINE |
| Date | 03/05/11 |
| Drawn By | S.S. |
| Appd.By | |