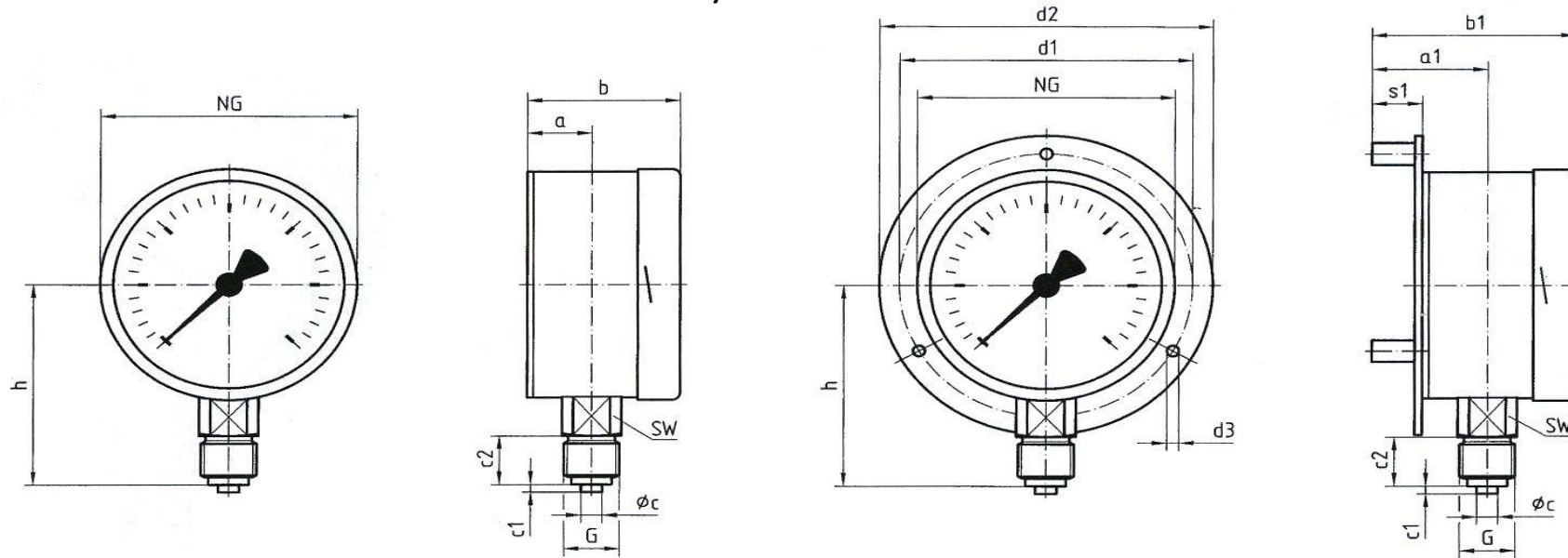




Ashford Instrumentation Ltd
 Tel: 01233 730999
 Fax: 01233 731133
 E-mail: sales@ashfordinstrumentation.com

Drawing Number: WS63BD512&532AF
 Product: 63mm Pressure Gauge
 Date: 27 June 2013
 Issue: 1
 Drawing Not To Scale

MODEL: 100mm & 160mm Full Safety Pattern Direct Mount & Surface Mount Models



Dimensions In Millimetres

Size	NG	h	a	a1	b	b1	c2	c1	φc	d1	d2	d3	s1
100mm	100	87	27	57	60	90	20	3	6	116	132	4.8	32
160mm	160	118	40	70	78	108	20	3	6	178	196	5.8	32

Specification

Case: 304 Stainless Steel
 Bezel: 304 Stainless Steel
 Wetted Parts: 316 Stainless Steel
 Mountng: Direct
 Accuracy: Class 1.0
 Window: Safety Glass
 Connection: 1/2" BSP Male