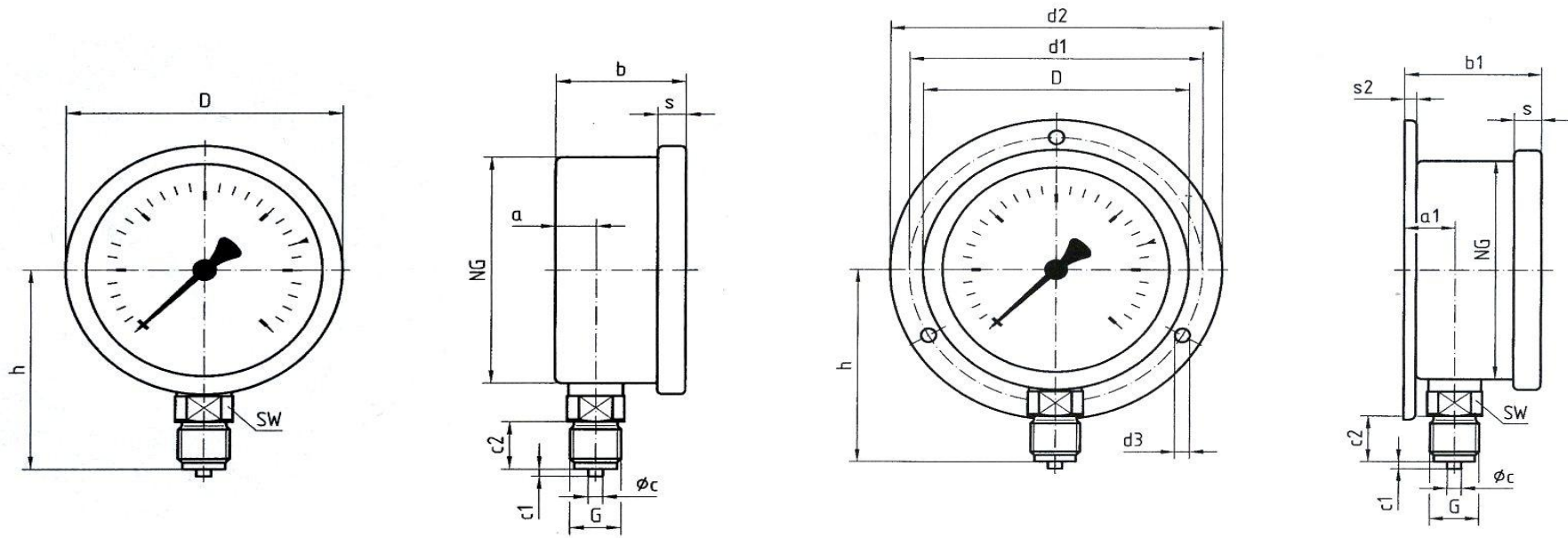




Ashford Instrumentation Ltd
 Tel: 01233 730999
 Fax: 01233 731133
 E-mail: sales@ashfordinstrumentation.com

Drawing Number: WS100BG701&741EXT
 Product: 100mm Pressure Gauge
 Date: 28 June 2013
 Issue: 1
 Drawing Not To Scale

MODEL: 100BG701 & 100BG741 EXT Slimline Case



Dimensions In Millimetres

G	NG	h	b	a	c2	c1	øc	d1	d2	d3	b1	a1	s	s2
3/8" BSP	108	79	36	12	15	2.5	5.5	116	132	4.8	41	17	7	5.5

Specification

Case: 304 Stainless Steel
 Wetted Parts: Brass
 Mountng: Direct & Surface
 Accuracy: Class 1.6
 Window: Plastic
 Connection: 1/4" BSP Male