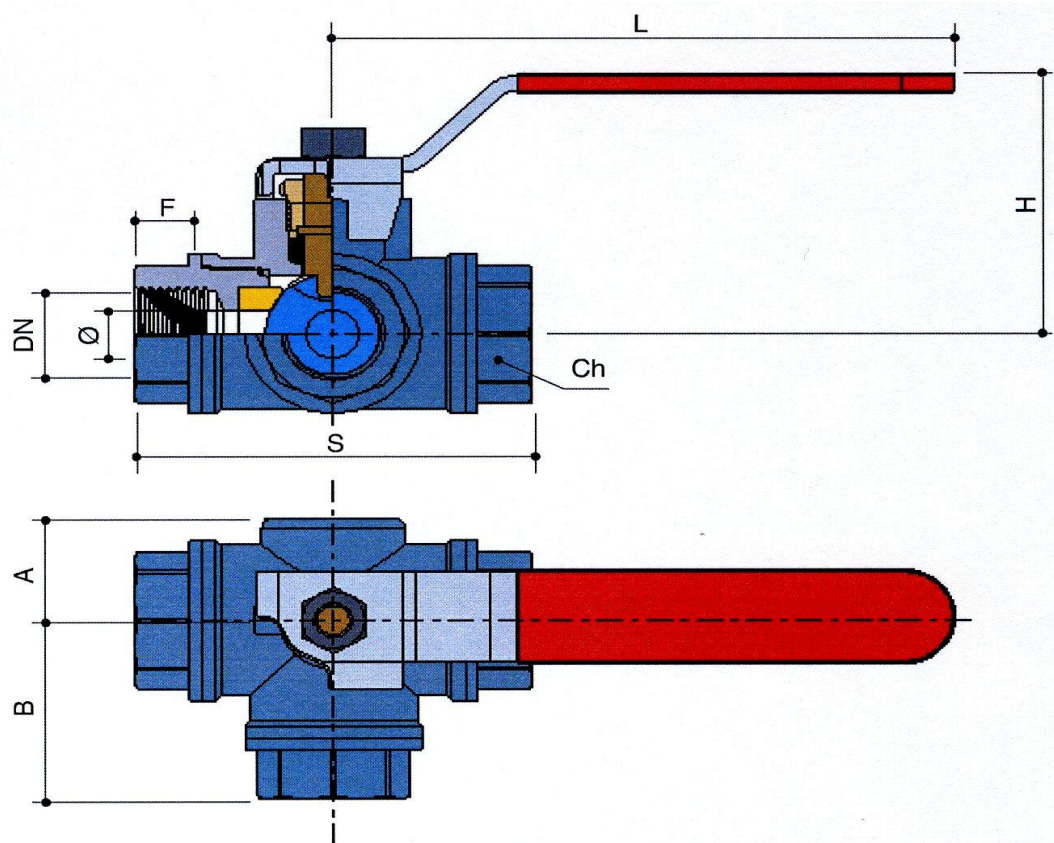




Ashford Instrumentation Ltd
 Tel: 01233 730999
 Fax: 01233 731133
 E-mail: sales@ashfordinstrumentation.com

Drawing Number: AIART70 & 71
Product 3-Way Brass Ball Valve
Date: 29th August 2013
Issue: 1
Drawing Not To Scale

MODEL: AIART70 & AIART71 3-Way Brass Ball Valve



DN	1/4"	3/8"	1/2"	3/4"	1"	1"1/4"	1"1/2"	2"
Ø	10	10	12	15	20	25	32	40
F	12	12	14	16	19	21	23	26
S	74	74	80	90	105	115	138	161
H	58	58	60	64	73	79	100	105
L	90	90	125	125	140	140	220	220
A	22	22	24	28	31	35	42	48
B	37	37	39	46	52	58	69	80
Ch	22	22	29	34	42	50	57	68

Dimensioni in mm - Dimensions in mm

N. N.	DENOMINAZIONE PART NAME	MATERIALE MATERIAL	TRATTAMENTO TREATMENT
1	Corpo - Body	Ottone - Brass CW 617N - UNI EN 12165/98	Nichelato - Nickel plated
2	Manicotto - Body end	Ottone - Brass CW 617N - UNI EN 12165/98	Nichelato - Nickel plated
3	Seggio - Seat	PTFE	
4	Sfera - Ball	Ottone - Brass CW 617N - UNI EN 12165/98	Cromata - Chrome plated
5	Asta - Stem	Ottone - Brass CW 614N - UNI EN 12164/98	
6	Guarniz.asta - Stem seat	PTFE	
7	Premistoppa - Packing nut	Ottone - Brass CW 614N - UNI EN 12164/98	
8	Maniglia - Handle	Acciaio - Steel	Rivest. PVC - Plastic coated
9	Dado - Nut	Acciaio - Steel	Zincato - Zinc plated