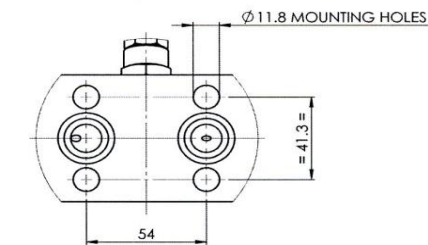
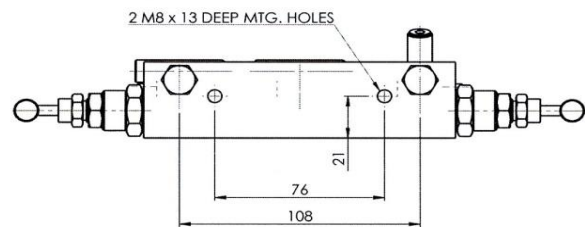
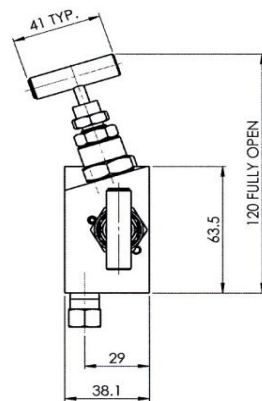
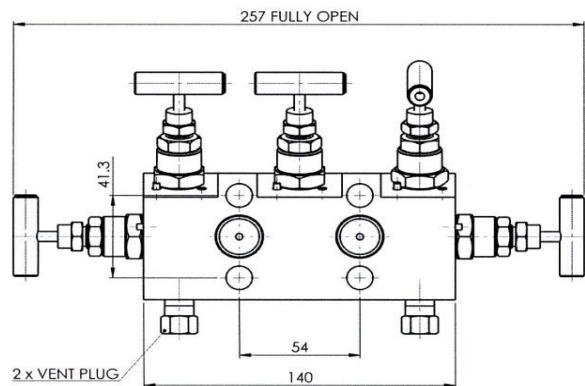




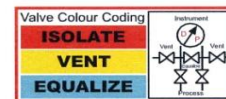
Ashford Instrumentation Ltd  
 Tel: 01233 730999  
 Fax: 01233 731133  
 E-mail: sales@ashfordinstrumentation.com

Drawing Number: AIY5FF  
 Product: 5-Valve Manifold  
 Date: 1st March 2013  
 Issue: 1  
 Drawing Not To Scale  
 Dimensions In Millimetres

**MODEL: Generation 200 Direct Mount Pipe To Flange 5-Valve Manifold**



FLANGED OUTLETS IEC 61518 TYPE B



To Ensure Product Is Supplied To The Above Dimensions Ensure Drawing Number Is Quoted On Any Purchase Order Raised. Unspecified Product May Vary.

Dimensions


**Specification**

Material: 316 Stainless Steel  
 Pressure Rating: 400 Bar / 6000 PSI