



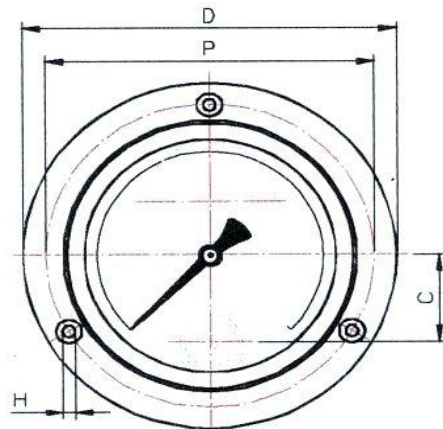
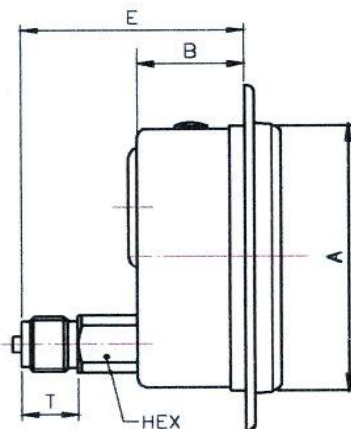
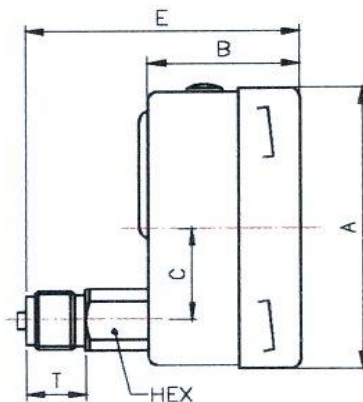
Ashford Instrumentation Ltd
 Tel: 01233 730999
 Fax: 01233 731133
 E-mail: sales@ashfordinstrumentation.com

Drawing Number: DMS800/100/02
 Product: 100mm Subsea Gauge
 Date: 15th January 2014
 Issue: 1
 Drawing Not To Scale

MODEL: 100mm Compensated Subsea Pressure Gauge Back Entry

A	101,5
B	38
C	33
D	132
E	79
H	4,5
P	116
T	20
HEX	22

Dimensions In MM



A	101,5
B	51
C	33
E	92
T	20
HEX	22

Dimensions In MM

Specification

Housing: 316 Stainless Steel
 Wetted Parts: 316 Stainless Steel
 Process Connection: 1/2" BSP or NPT
 Accuracy: Class 1