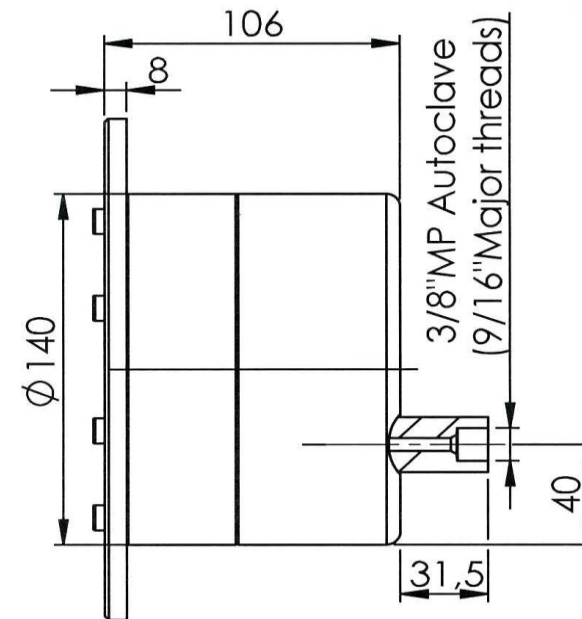
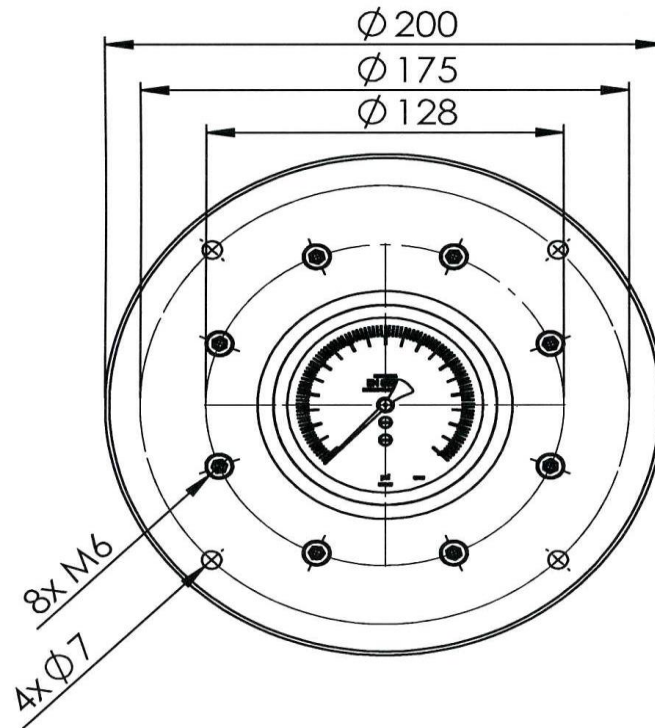




Ashford Instrumentation Ltd
Tel: 01233 730999
Fax: 01233 731133
E-mail: sales@ashfordinstrumentation.com

Drawing Number: 100BD432SUARSUB
Product: 100mm Subsea Gauge
Date: 31st May 2017
Issue: 1
Drawing Not To Scale

MODEL: 100mm Case "SUPASUB" Subsea Pressure Gauge 4-Hole Front Flange



Depth Rating 6000m Subsea

Specification

Housing: 316 Stainless Steel
Wetted Parts: 316 Stainless Steel
Process Connection: 1/2" BSP or NPT
Accuracy: Class 1