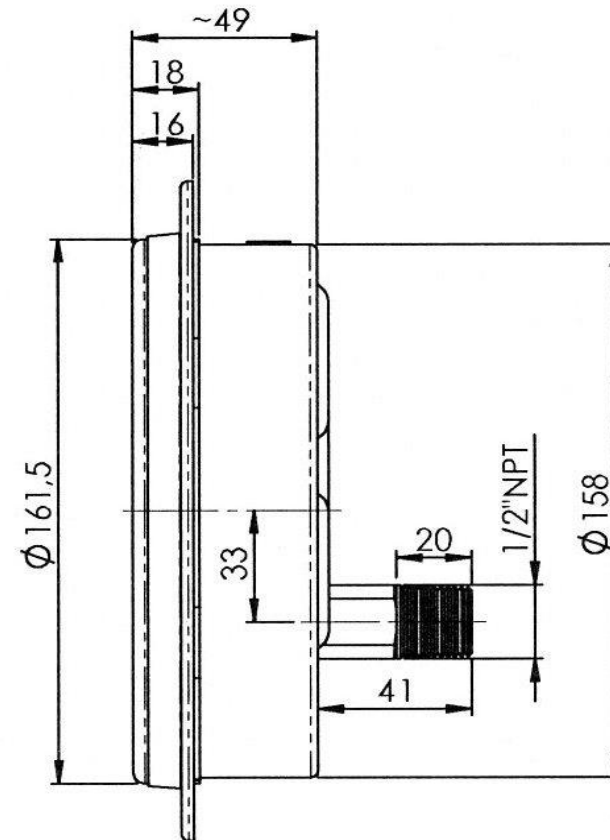
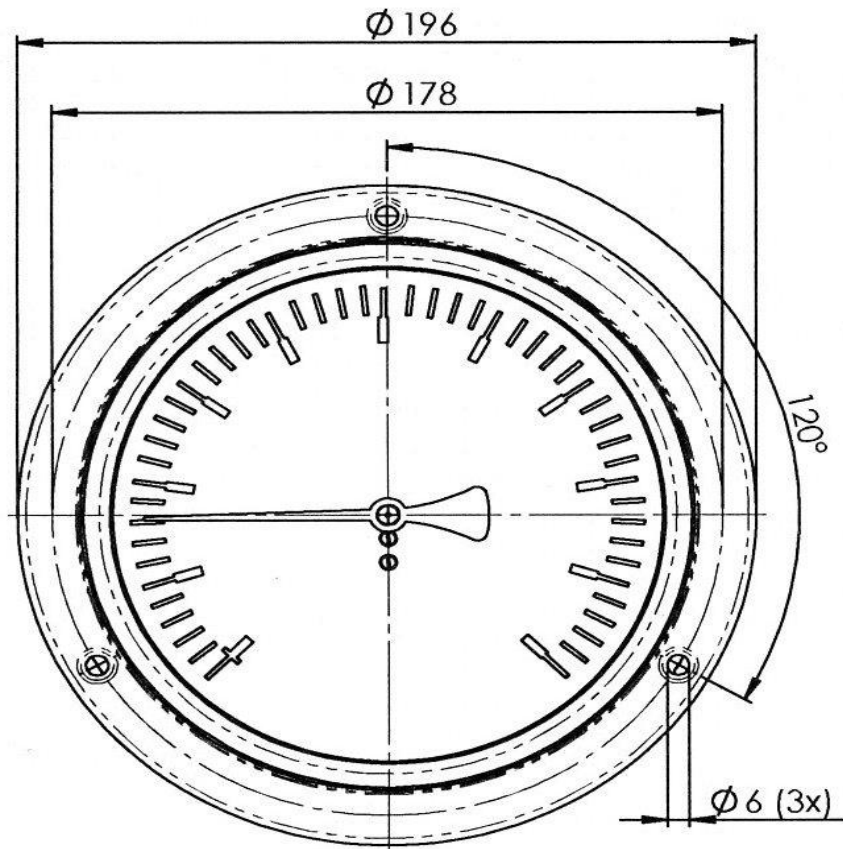




Ashford Instrumentation Ltd
Tel: 01233 730999
Fax: 01233 731133
E-mail: sales@ashfordinstrumentation.com

Drawing Number: DMS800/150/02
Product: 150mm Subsea Gauge
Date: 30th August 2010
Issue: 1
Drawing Not To Scale

MODEL: 150mm Compensated Subsea Pressure Gauge Back Entry



Dimensions in MM