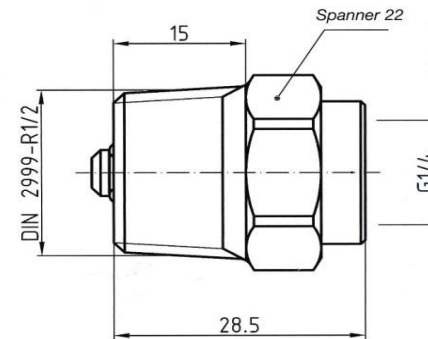
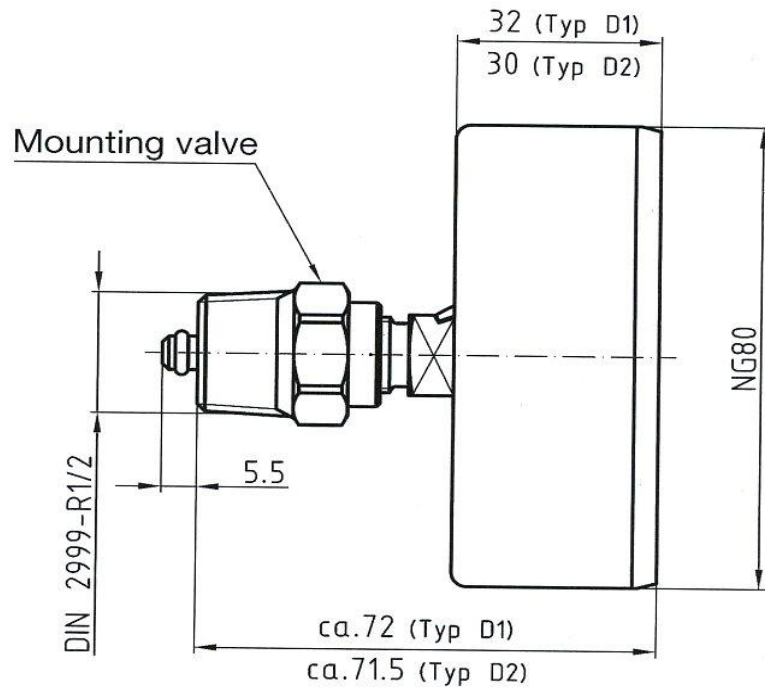




Ashford Instrumentation Ltd
 Tel: 01233 730999
 Fax: 01233 731133
 E-mail: sales@ashfordinstrumentation.com

Drawing Number: WS80BD211COMICWL
 Product: 80mm Combi Gauge
 Date: 25 June 2013
 Issue: 1
 Drawing Not To Scale
 Dimensions In Millimetres

MODEL: 80BD211 Back Entry Combined Pressure / Temperature Gauge



No-Loss Valve

Specification

Case: Black Painted Steel
 Bezel: Chrome / Stainless Steel
 Wetted Parts: Brass
 Mountng: Direct
 No-Loss Valve: Brass
 Window: Plastic
 Connection: 1/2" BSPT

Dimensions

G	NG	ca	D1							
1/2" BSPT	80	61	27							