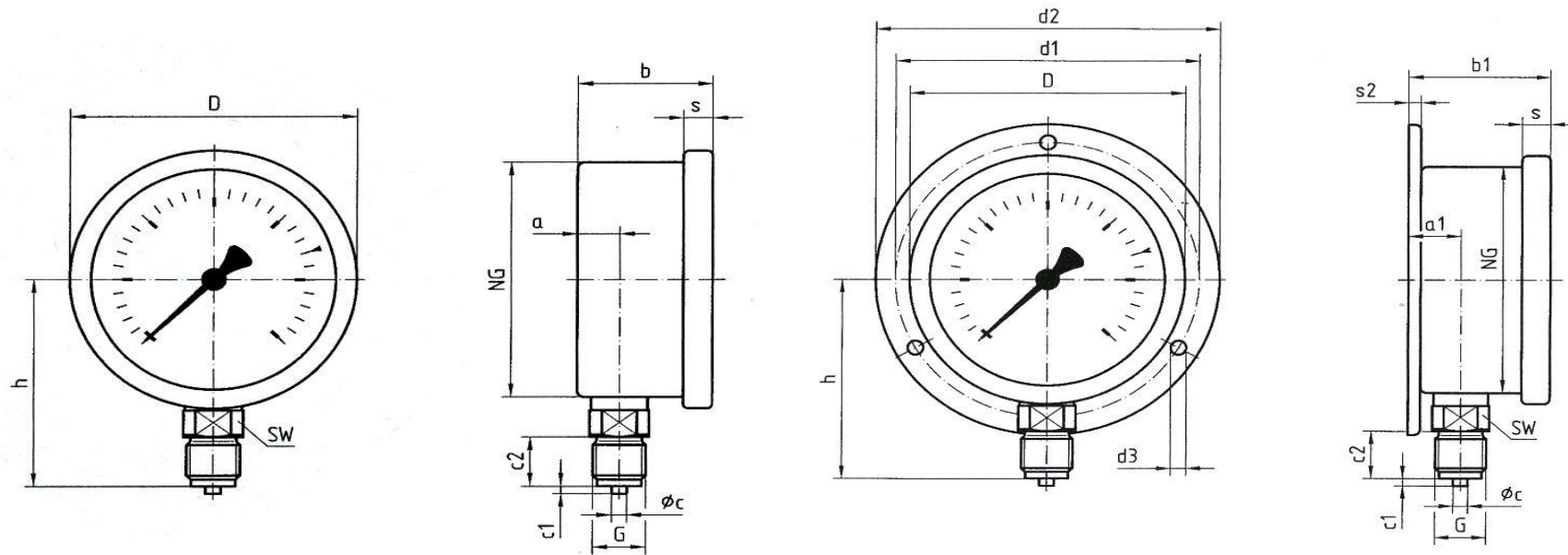




Ashford Instrumentation Ltd
 Tel: 01233 730999
 Fax: 01233 731133
 E-mail: sales@ashfordinstrumentation.com

Drawing Number: WS63BG701&741S2
 Product: 63mm Pressure Gauge
 Date: 17 June 2014
 Issue: 1
 Drawing Not To Scale

MODEL: 63BG701 & 63BG741 S2 Safety Version



* BSP Only

Dimensions In Millimetres

G	NG	h	b	a	c2	c1	φ _c	D	d1	d2	d3	b1	a1	s1
1/4"	62	54	31	10	12	2*	*5	68	75	85	3.6	33	12	2

Specification

Case: 304 Stainless Steel
 Wetted Parts: Brass
 Mountng: Direct & Surface
 Accuracy: Class 1.6
 Window: Plastic
 Connection: 1/4" BSP / NPT Male