

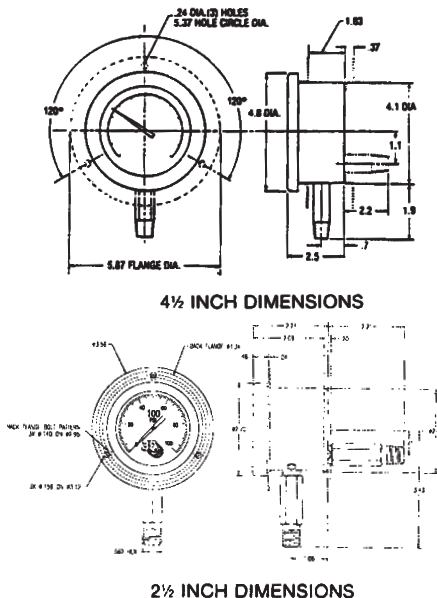


## STAINLESS STEEL PRESSURE GAUGES

THE SIMPLICITY, ACCURACY AND RELIABILITY OF 3D INSTRUMENTS' DIRECT DRIVE DESIGN PRESSURE GAUGES ARE AVAILABLE IN 2½ INCH AND 4½ INCH STAINLESS STEEL CASES. NO GEARS OR LEVERS MEANS FEWER PROBLEMS AND LONGER SERVICE LIFE.



*Series 2550 Process Gauge*



### FEATURES

- Corrosion resistant
- Water resistant
- Rugged construction  
Stainless steel, electro-polished case  
Acrylic crystal with positive seal
- Standard 3D quality materials  
Inconel X-750 helical bourdon tube sensor  
Sapphire bearings  
Stainless steel connecting capillary  
Stainless steel fitting
- Full product ranges  
All pressure ranges  
Process (2550) and test (2554 & 2555)  
accuracy
- Manufactured to ASME B-40.1
- Six year warranty

### APPLICATIONS

Typical applications for this robust weather and corrosion resistant gauge include:

- Corrosive environments often encountered in chemical plants
- Harsh weather in offshore locations
- Ambient and media conditions occurring near boilers, furnaces ovens and steam, Conditions often arising in steel glass, power, refineries and petro-chemical plants
- Sanitary requirements in food, beverage and pharmaceutical applications

*It adds up to durability, accuracy and long run economy for the user.*

The "Direct Drive Difference" in Gauges

## SPECIFICATIONS

<b>Pressure Ranges:</b>	0-30 to 0-20,000 psig and equivalent ISO and metric scales
<b>Compound Gauges:</b>	30 in. Hg/0-30 psi to 30 in. Hg/0-300 psig
<b>Vacuum Gauges:</b>	0-30 in Hg
<b>Receiver Gauges:</b>	3-15 psig or 3-27 psig with square root or linear scale
<b>Accuracy:</b>	Series 2554: $\pm 0.25\%$ of span Series 2550: $\pm 0.5\%$ of span at mid-range, $\pm 1\%$ overall
<b>Ambient Temperature:</b>	- 100°F to 200°F ( - 73°C to 93°C)
<b>Dial Size:</b>	2½ inches (63mm) (nominal) 4½ inches (114 mm) (nominal)
<b>Operating Media:</b>	Any media suitable for contact with 316 stainless steel and Inconel X-750
<b>Materials:</b>	Case 300 Series stainless steel, electro-polished Dial: 300 Series stainless steel or ABS (2.5 inch only)

<b>Crystal:</b>	2½ inch: Lexan (or Optional Glass) 4½ inch: Acrylic (or Optional Glass)
<b>Flanges:</b>	300 Series stainless steel (optional)
<b>Sensing Element:</b>	Inconel X-750
<b>Fittings:</b>	316 Series Stainless Steel 4½ inch: 1/4 inch or 1/2 inch NPT 2½ inch: 1/4 inch NPT bottom or back connect



*Series 2554 Test Gauge*

## ORDERING INFORMATION

The 3D pressure gauge in an electro polished stainless steel case can be ordered by using the digit "5" in the last position of the part number.

Example: 25504-25B55

2550	-Pressure gauges, 0.5% accuracy (mid-range)
4	-Size of dial — 4½ inches
-25	-200 psi
B	-¼ inch NPT — male fitting
5	-no flange, bottom fitting
5	-stainless steel case

See 3D 2001 Direct Drive Catalog No. KT-014 for complete ordering information.

The complete range of flange and fitting positions as designated by the last two digits in the 3D part number are:

15	—front flange, bottom fitting, stainless steel case
25	—front flange, back fitting, stainless steel case
35	—back flange, bottom fitting, stainless steel case
45	—back flange, back fitting, stainless steel case
55	—no flange, bottom fitting, stainless steel case
65	—no flange, back fitting, stainless steel case

### 3D Instruments, LP

2900 E. White Star Ave., Anaheim, California 92806 USA

Phone: (714) 399-9200

Internet: [www.3dinstruments.com](http://www.3dinstruments.com) E-mail: [cs@3dinstruments.com](mailto:cs@3dinstruments.com)