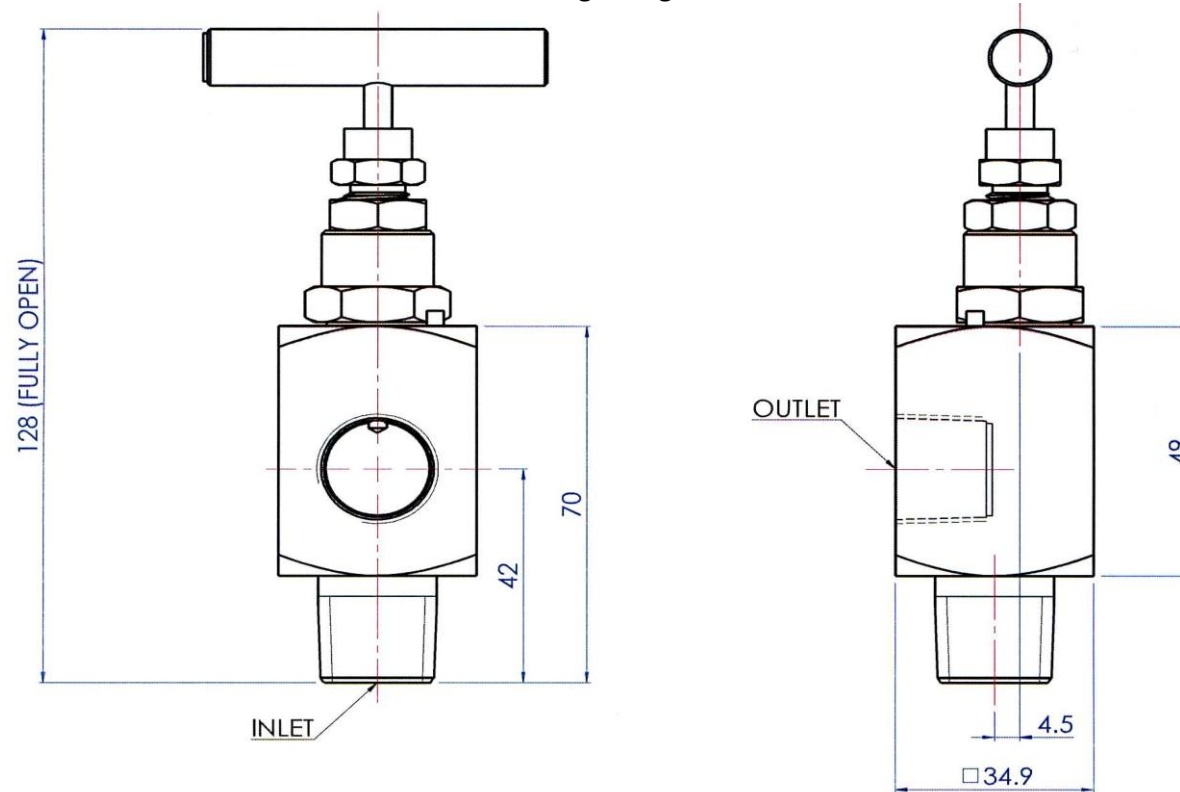




Ashford Instrumentation Ltd
Tel: 01233 730999
Fax: 01233 731133
E-mail: sales@ashfordinstrumentation.com

Drawing Number: AIB1MF Series
Product Angled Pattern Needle
Date: October 2014
Issue: 1
Drawing Not To Scale
Dimensions In Millimetres

MODEL: Right Angle Needle Valve



Dimensions Subject To Change. In The Event Of Any Dimensions
Being Critical Please Ask For The Latest Drawing Revision

Specification

Material: 316 Stainless Steel
Pressure Rating: 400 Bar / 6000 PSI