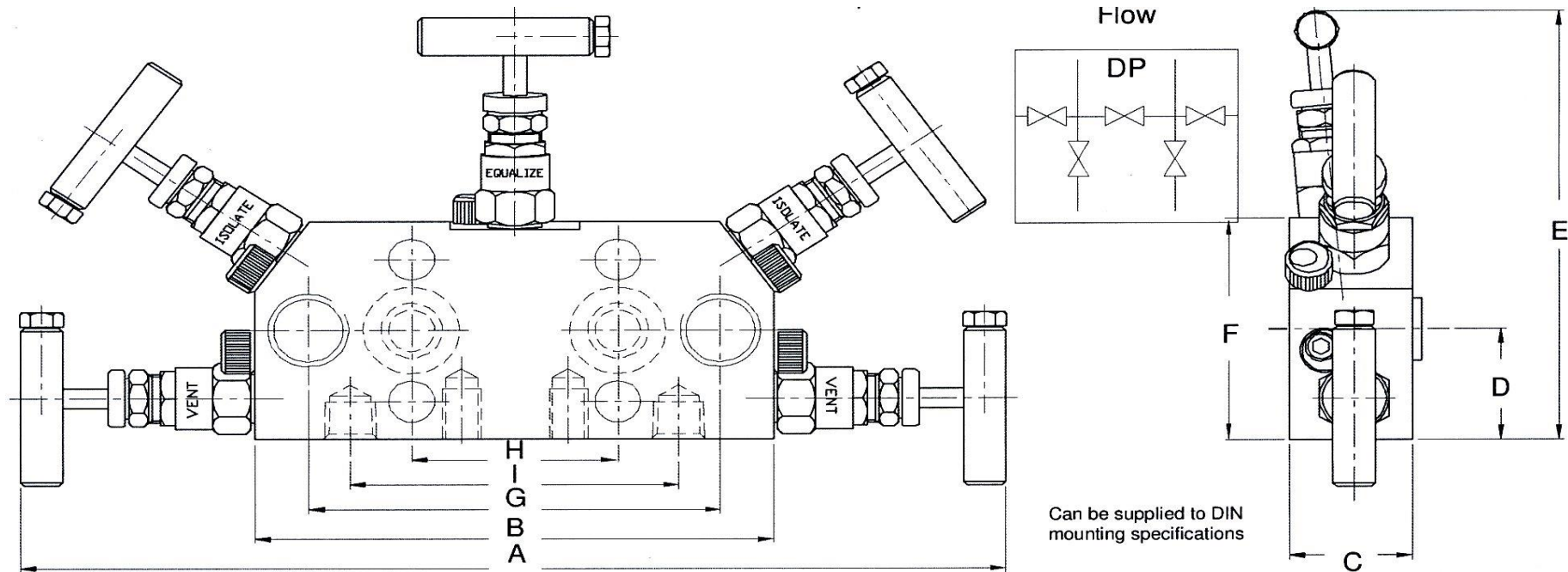




Ashford Instrumentation Ltd
 Tel: 01233 730999
 Fax: 01233 731133
 E-mail: sales@ashfordinstrumentation.com

Drawing Number: AICOPLANAR01
 Product: 5-Valve Manifold
 Date: 1st March 2013
 Issue: 1
 Drawing Not To Scale
 Dimensions In Millimetres

MODEL: Coplanar Direct Mount 5-Valve Manifold - Bottom Venting



To Ensure Product Is Supplied To The Above Dimensions Ensure Drawing Number Is Quoted On Any Purchase Order Raised. Unspecified Product May Vary.

Dimensions

	A	B	C	D	E	F	G	H	I			
	258	108	32	32	123	63	108	54	86			

Specification

Material: 316 Stainless Steel
 Pressure Rating: 400 Bar / 6000 PSI