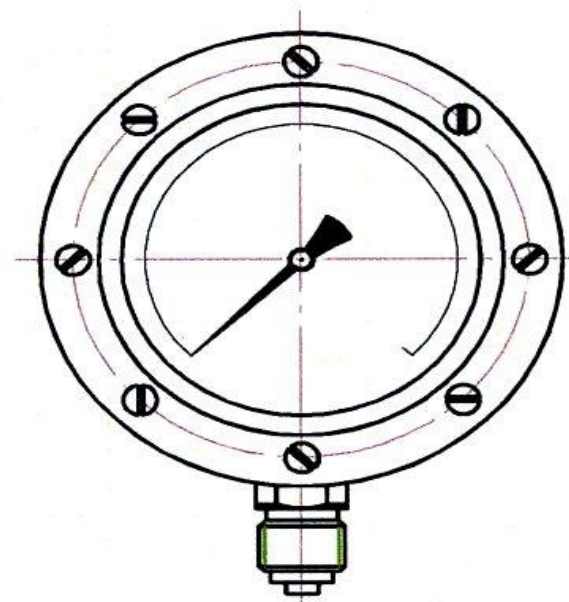
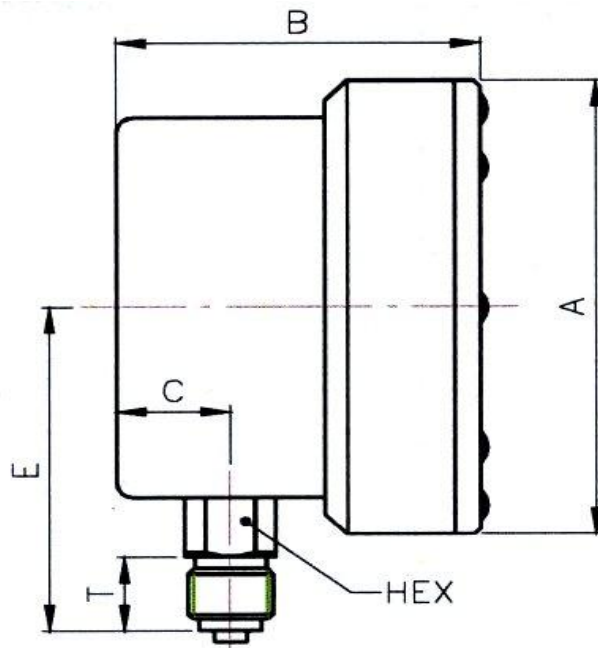




Ashford Instrumentation Ltd
 Tel: 01233 730999
 Fax: 01233 731133
 E-mail: sales@ashfordinstrumentation.com

Drawing Number: DMS600&700.402.01
 Product Subsea Gauge
 Date: 15th January 2014
 Issue: 1
 Drawing Not To Scale

MODEL: 63mm, 100mm &160mm Bottom Entry Subsea Pressure Gauge



Dimensions In Millimetres

	A	B	C	D	E	F	H	P	T	HEX			
63mm	80	56	17.5		57				13	14			
100mm	124	71	20		97				20	22			
160mm	170	71	21		104				20	22			

Specification

Housing: 316 Stainless Steel
 Wetted Parts: 316 Stainless Steel
 Process Connection: 1/2" BSP or NPT
 Accuracy: Class 1