



LED Display Module 2-wire Loop Powered LEDD-01



- 2-wire LED display
- Four-digit red LED
- No external power supply required
- 2 switching outputs (option): OPTO, NPN, PNP

Application

- The Plug-on display LEDD-01 is fit for all of the transmitters and converters with 4-20mA 2-wire technique, just as pressure, differential pressure, temperature, flow, PH, acceleration and so on.
- The plug-on display is powered by the current loop of the 4 to 20 mA signal transmitter. No additional auxiliary power is required.
- The plug-on display can be rotated in 90° steps, it can thus be adapted to different mounting positions.

Characteristics

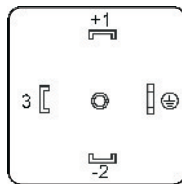
- Display value: -1999...9999
- 16 bit ADC integrated
- The minimum operating current: 3mA
- Connection: Cable socket acc. to DIN 43650
- Customer can use the two buttons to program the zero point, span, decimal point, damping and alarm point etc.

Technical data

Power supply	
Voltage drop	≤ 4.5 VDC
Supply	Not required, 4 to 20mA loop powered
Display	
Type	4-digit, red LED display, digit height 7mm, digit with 4.85mm
Range	-1.9.9.9 to 9.9.9.9.
Accuracy	0.1% ± 1 digit
Digital damping	0 to 20s(step 0.5s)

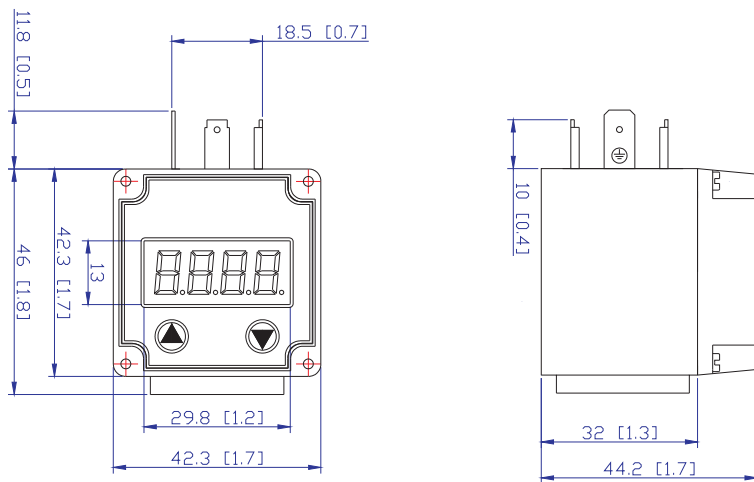
Electrical Protection	
Short circuit protection	Permanent
Reverse polarity protection	Max. current : approx. 200mA
Ambient temperatures	
Operating	-20 to 70°C
Storage	-30 to 85°C
Materials	
Display housing	ABS
Others	
Weight	approx. 60g
Ingress protection	IP 65
Color of housing	Black, Green (option)
Dimesions	58 x 43 x 44.2mm

Electrical connection



Pin 1 Supply +
Pin 2 Supply -
Pin 3 Ground

Dimensions



Dimensions in mm