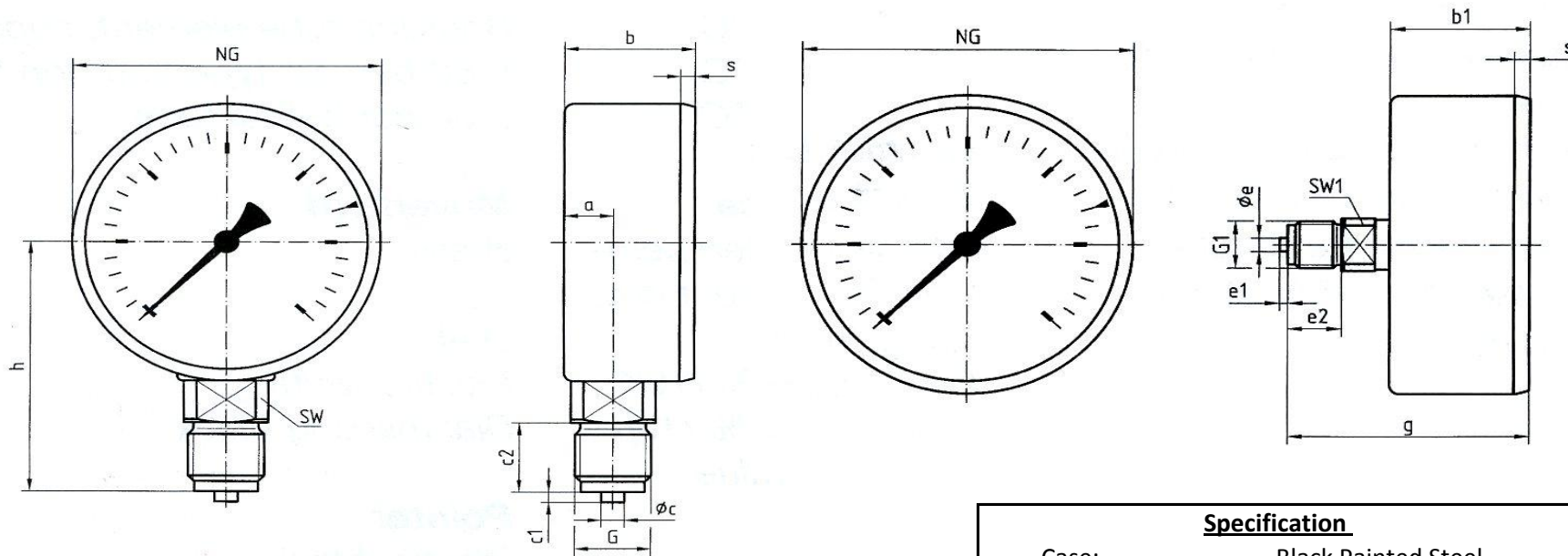




Ashford Instrumentation Ltd
 Tel: 01233 730999
 Fax: 01233 731133
 E-mail: sales@ashfordinstrumentation.com

Drawing Number: WS50BD201/211CWL
 Product: 50mm Pressure Gauge
 Date: 25 June 2013
 Issue: 1
 Drawing Not To Scale
 Dimensions In Millimetres

MODEL: 50BD201 & 50BD211 SERIES



G	NG	h	b	b1	g	s	a	c2	c1	φc	e1	e2
1/4" BSPT	51	45	28.5	28.5	45.5	3.8	10	12.5	X	X	X	X
1/4" BSP	51	45	28.5	28.5	45.5	3.8	10	13	1.5	5	1.5	5
1/4" NPT	51	45	28.5	28.5	45.5	3.8	10	12.5	X	X	X	X
1/8" BSP	51	43.5	28.5	28.5	44	3.8	10	9.7	1.5	4	1.5	4
1/8" NPT	51	43.5	28.5	28.5	44	3.8	10	10	X	X	X	X

Specification

Case: Black Painted Steel
 Wetted Parts: Brass
 Mountng: Direct
 Accuracy: Class 1.6
 Window: Plastic (Push Fit)