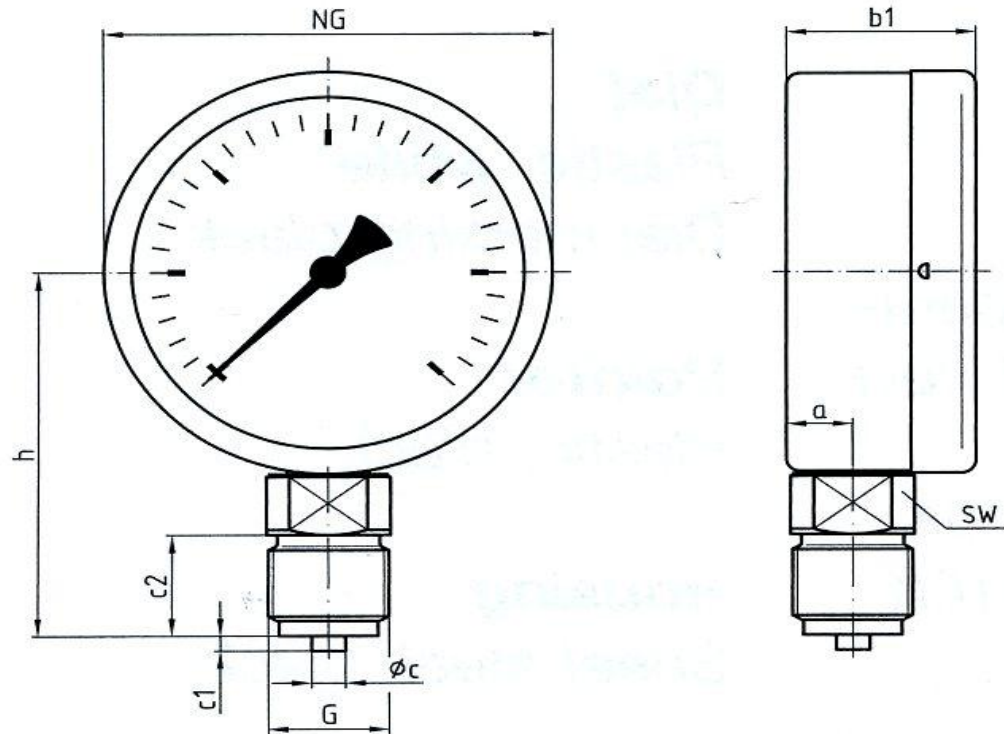




Ashford Instrumentation Ltd
 Tel: 01233 730999
 Fax: 01233 731133
 E-mail: sales@ashfordinstrumentation.com

Drawing Number: WS100BD201PREMEXT
 Product: 100mm Pressure Gauge
 Date: 25 June 2013
 Issue: 1
 Drawing Not To Scale
 Dimensions In Millimetres

MODEL: 100BD201 Premium Series



Specification

Case: Black Painted Steel
 Bezel: Chrome / Stainless Steel
 Wetted Parts: Brass
 Mountng: Direct
 Accuracy: Class 1.0
 Window: Instrument Glass
 Connection: 3/8" BSP Male

G	NG	h	b1	a	c2	c1	φc					
3/8" BSP	100	80	48	15	15	2	5.5					