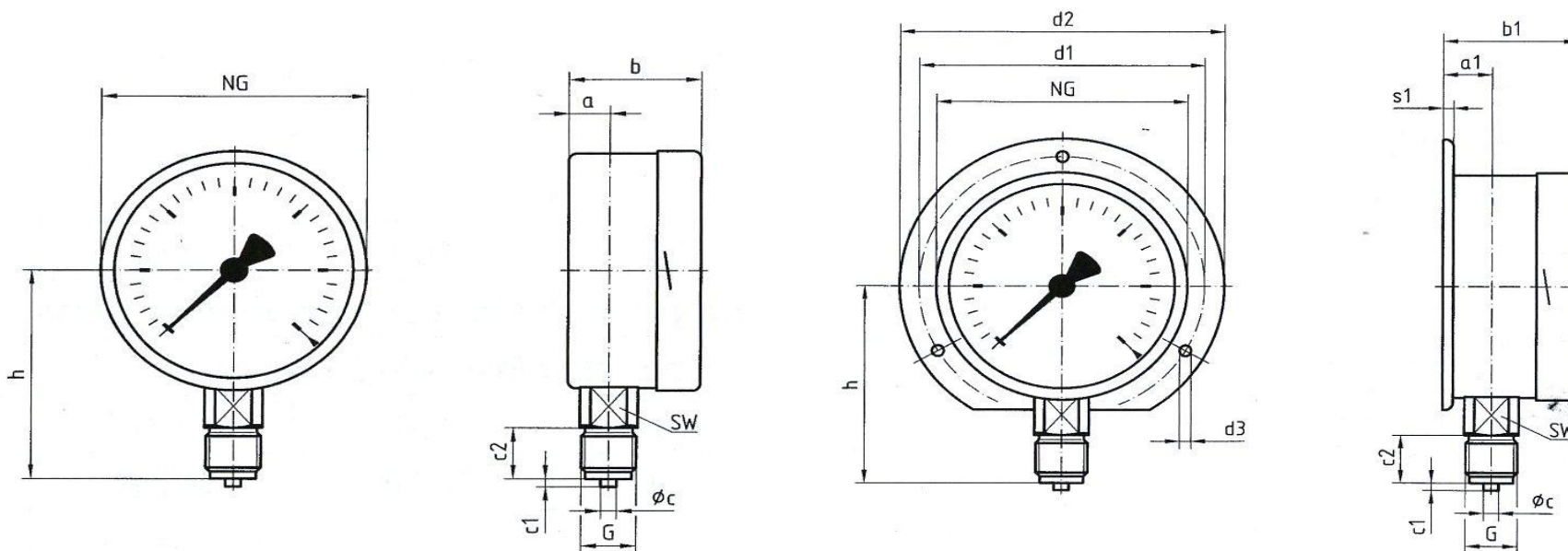




Ashford Instrumentation Ltd
 Tel: 01233 730999
 Fax: 01233 731133
 E-mail: sales@ashfordinstrumentation.com

Drawing Number: WS100BD401MXEXT
 Product: 100mm Pressure Gauge
 Date: 25 June 2013
 Issue: 1
 Drawing Not To Scale

MODEL: MX Series 100BD401 Bottom Entry & Surface Mount 3-Hole Back Flange



Dimensions In Millimetres

G	NG	h	b	a	c2	c1	φc	d1	d2	d3	b1	a1	s1
1/2" BSP	100	87	50	17	21	3	6	118	132	4.8	55.5	22.5	5.5

Specification

Case: 304 Stainless Steel
 Bezel: 304 Stainless Steel
 Wetted Parts: Brass
 Mountng: Direct
 Accuracy: Class 1.0
 Window: Instrument Glass
 Connection: 1/2" BSP Male