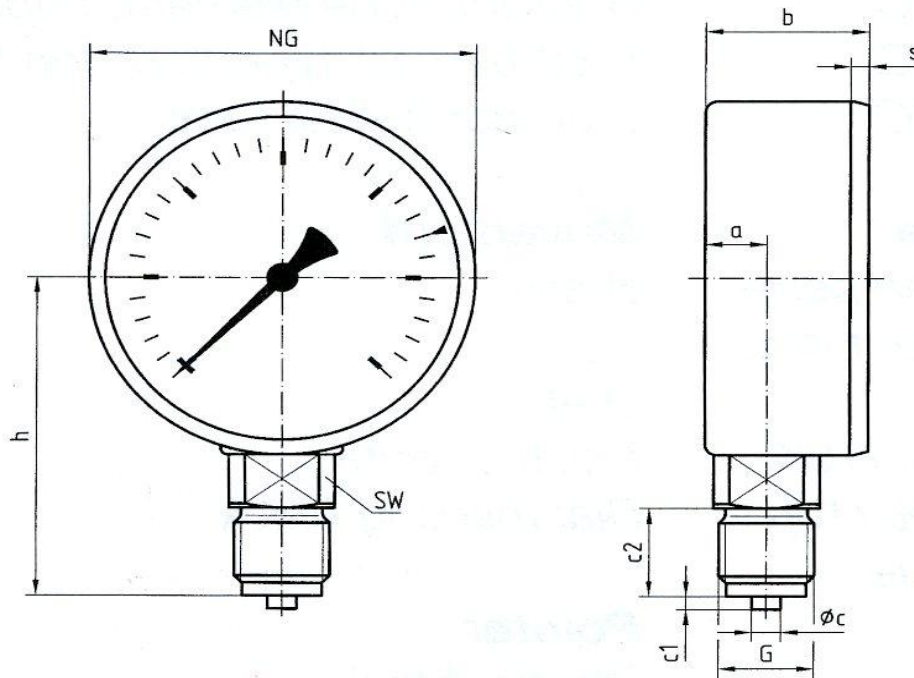




Ashford Instrumentation Ltd  
 Tel: 01233 730999  
 Fax: 01233 731133  
 E-mail: sales@ashfordinstrumentation.com

Drawing Number: WS63&100CD201CWL1  
 Product: 63 & 100mm Capsule  
 Date: 27 June 2013  
 Issue: 1  
 Drawing Not To Scale  
 Dimensions In Millimetres

MODEL: 63CD201 & 100CD201 Series CWL



**Specification**

Case: Grey Painted Steel  
 Wetted Parts: Brass  
 Mountng: Direct Bottom  
 Accuracy: Class 1.6  
 Window: Plastic (Push Fit)  
 Connection: 63mm 1/4" BSPT  
 100mm 1/2" BSP

Diameter	NG	h	b	s	a	c2	c1	øc
63mm	63	50	31	4	10	12	X	X
100mm	100	74	35	4	14	18	5	6