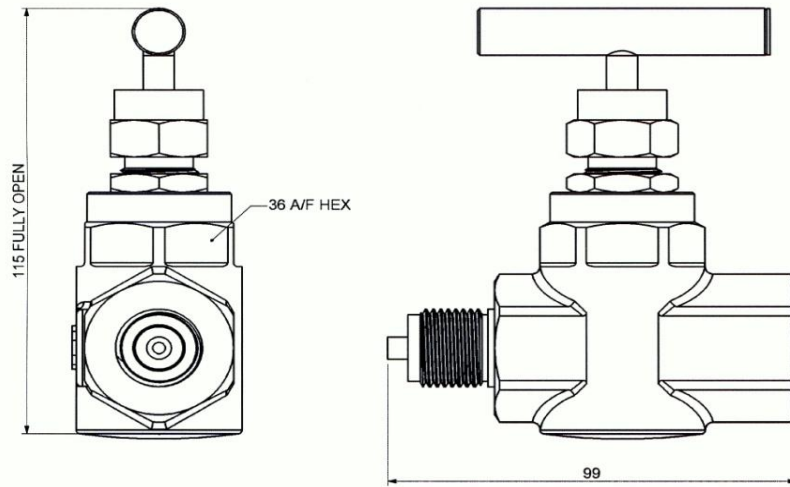




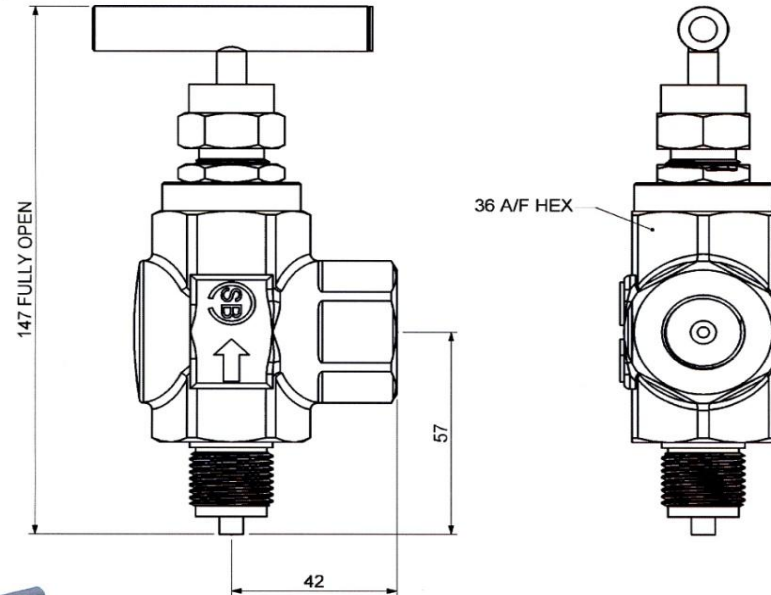
Ashford Instrumentation Ltd
 Tel: 01233 730999
 Fax: 01233 731133
 E-mail: sales@ashfordinstrumentation.com

Drawing Number: AIC1&D1MF
 Product Forged Needle Valve
 Date: 1st March 2013
 Issue: 1
 Drawing Not To Scale
 Dimensions In Millimetres

MODEL: Generation 200 Forged Male/Female Needle Valve (In-Line & Right Angled)



Model AIC1: In-Line Forged Needle Valve



Model AID1: Right Angled Forged Needle Valve



To Ensure Product Is Supplied To The Above Dimensions Ensure Drawing Number Is Quoted On Any Purchase Order Raised. Unspecified Product May Vary.

Dimensions

--	--	--	--	--	--	--	--	--	--	--	--	--	--	--	--	--	--	--	--

Specification	
Material:	316 Stainless Steel
Pressure Rating:	1000 Bar / 15000 PSI