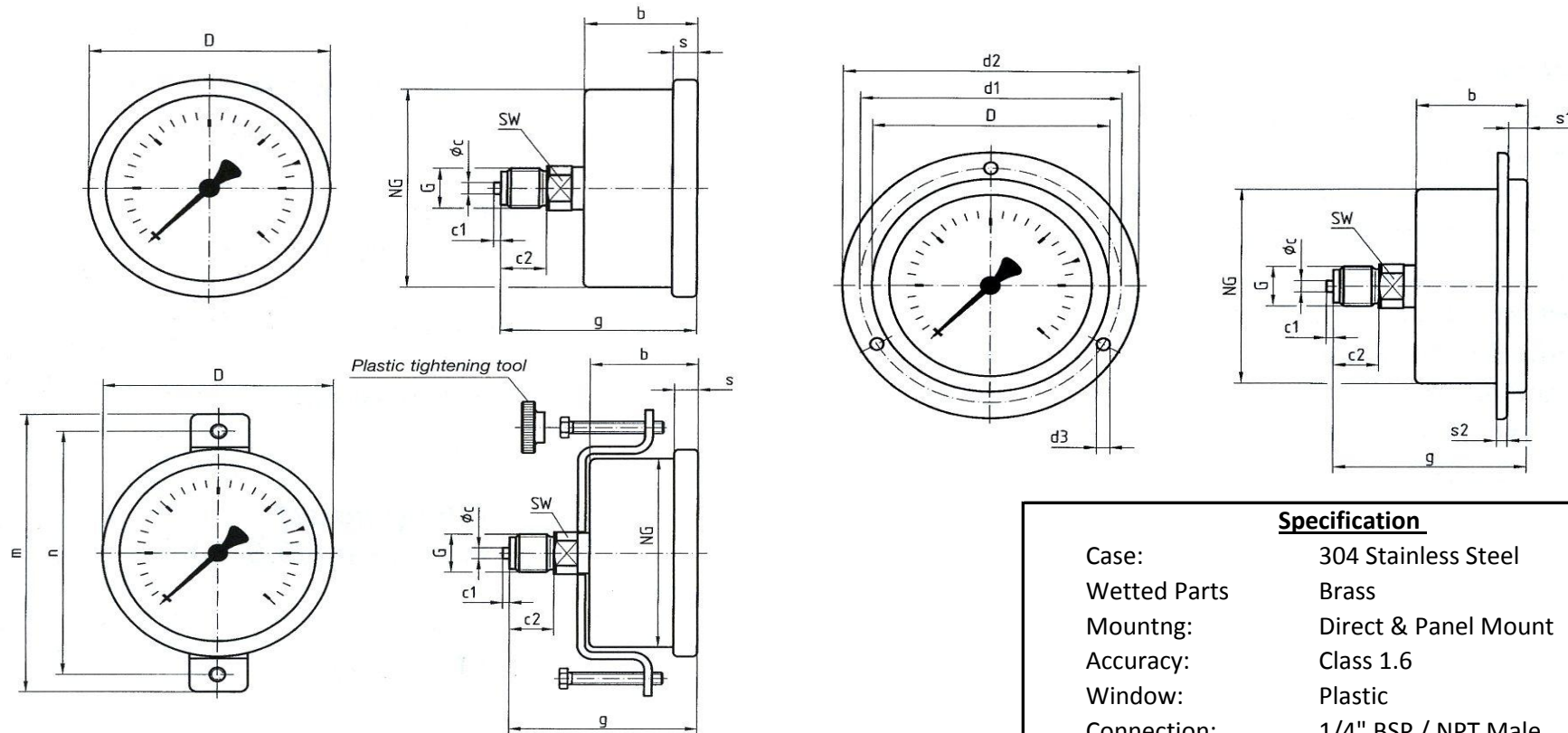




Ashford Instrumentation Ltd
 Tel: 01233 730999
 Fax: 01233 731133
 E-mail: sales@ashfordinstrumentation.com

Drawing Number: WS63BG711&731&751S2
 Product: 63mm Pressure Gauge
 Date: 27 June 2013
 Issue: 1
 Drawing Not To Scale

MODEL: 63BG711 & 63BG731 & 63BG751 S2 Safety Gauge



Specification

Case: 304 Stainless Steel
 Wetted Parts: Brass
 Mountng: Direct & Panel Mount
 Accuracy: Class 1.6
 Window: Plastic
 Connection: 1/4" BSP / NPT Male

Dimensions In Millimetres

G	NG	D	b	c2	c1	øc	d1	d2	d3	s2	s	s1	g	n	m
1/4" BSP	62.3	68	31	12	2	5	75	85	3.6	2	6.5	5.5	55.5	9.8	8.7