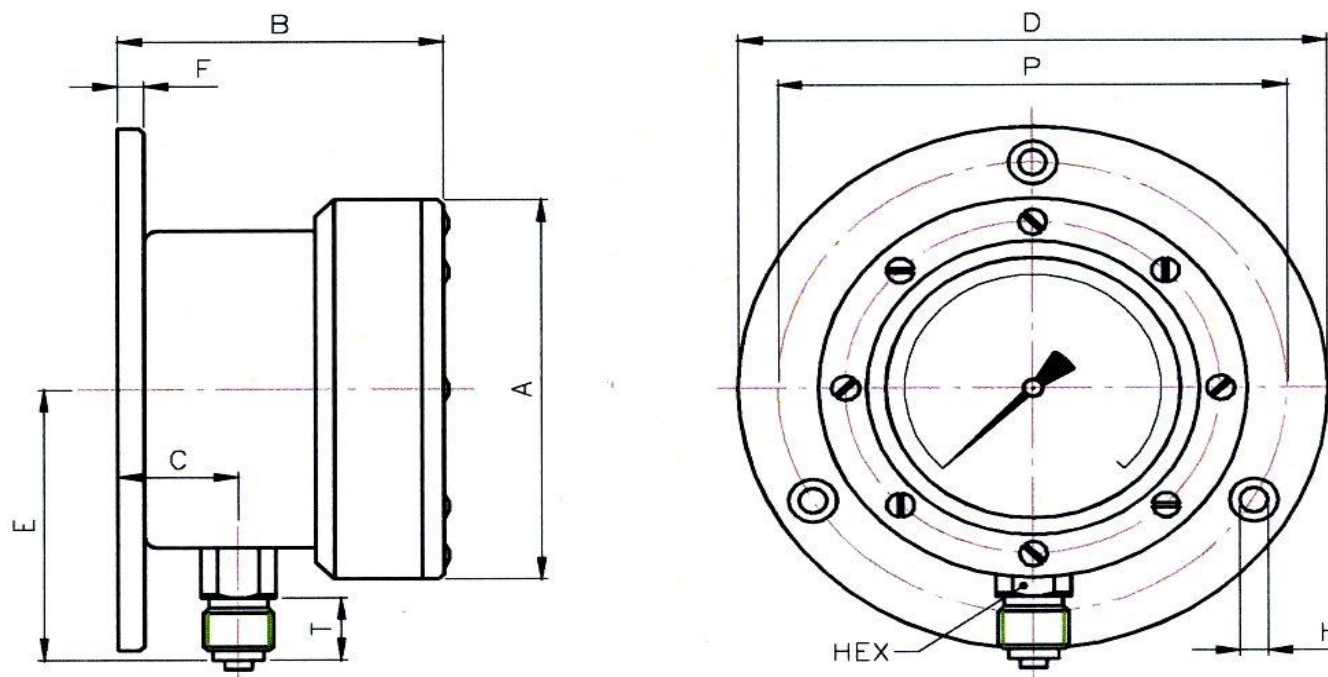




Ashford Instrumentation Ltd
 Tel: 01233 730999
 Fax: 01233 731133
 E-mail: sales@ashfordinstrumentation.com

Drawing Number: DMS600&700.442.01
 Product Subsea Gauge
 Date: 15th January 2014
 Issue: 1
 Drawing Not To Scale

MODEL: 63mm, 100mm & 160mm Surface Mount Back Flange Subsea Pressure Gauge



Technical Note: 63mm Version Has 3-Hole Back Flange, 100mm & 160mm Version Has 4-Hole Back Flange

Dimensions In Millimetres

	A	B	C	D	E	F	H	P	T	HEX			
63mm	80	61	22.5	110	57	5	5.2	95	13	14			
100mm	124	76	25	175	97	5	6.2	150	20	22			
160mm	170	76	26	205	104	5	6.2	186	20	22			

Specification

Housing: 316 Stainless Steel
 Wetted Parts: 316 Stainless Steel
 Process Connection: 1/4" or 1/2" BSP or NPT
 Accuracy: Class 1.6 & Class 1