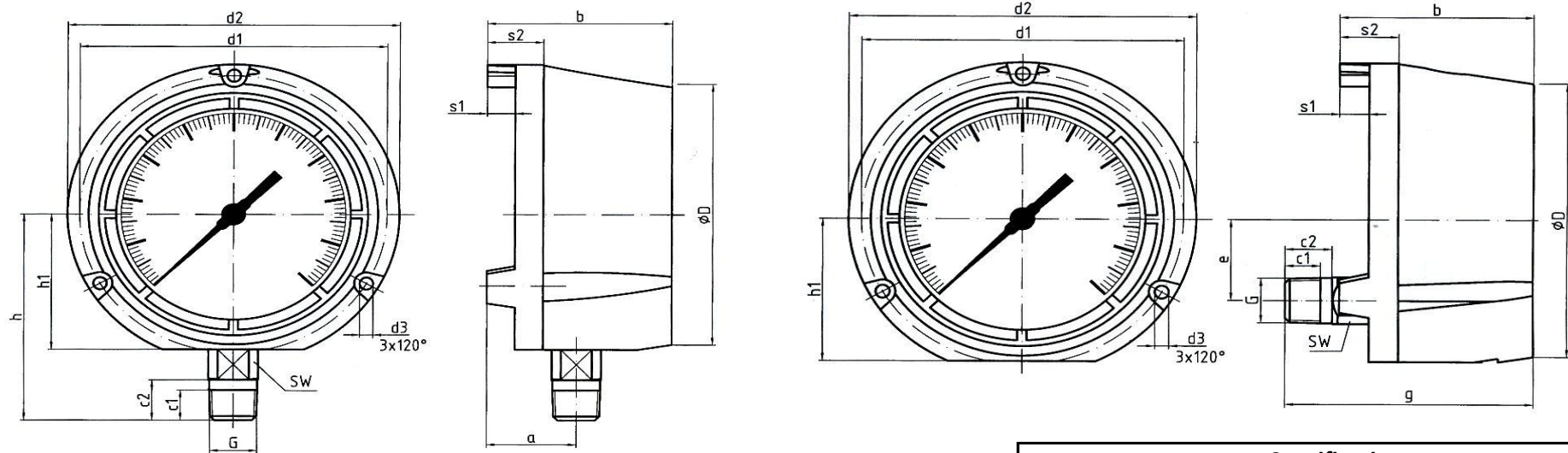




Ashford Instrumentation Ltd
 Tel: 01233 730999
 Fax: 01233 731133
 E-mail: sales@ashfordinstrumentation.com

Drawing Number: WS4.5"PROCESSGAUGEAF
 Product: 100mm Pressure Gauge
 Date: 28 June 2013
 Issue: 1
 Drawing Not To Scale

MODEL: 4.5" FSP Process Gauge Bottom & Back Entry



Specification

Case & Bezel : PP-GF20
 Design: Full Safety Pattern
 Wetted Parts: 316 Stainless Steel
 Mountng: Direct & Surface
 Accuracy: Grade 2A ANSI B 40.1
 Window: Plastic
 Connection: 1/2" NPT Male

Dimensions In Millimetres

G	øD	h	h1	h2	b	a	c2	c1	g	d1	d2	d3	b1	s1	s2	s3	e
1/2" NPT	129	102	67	78	82.5	40	20	15	105.5	137	148	6	114.5	13	25	13	38