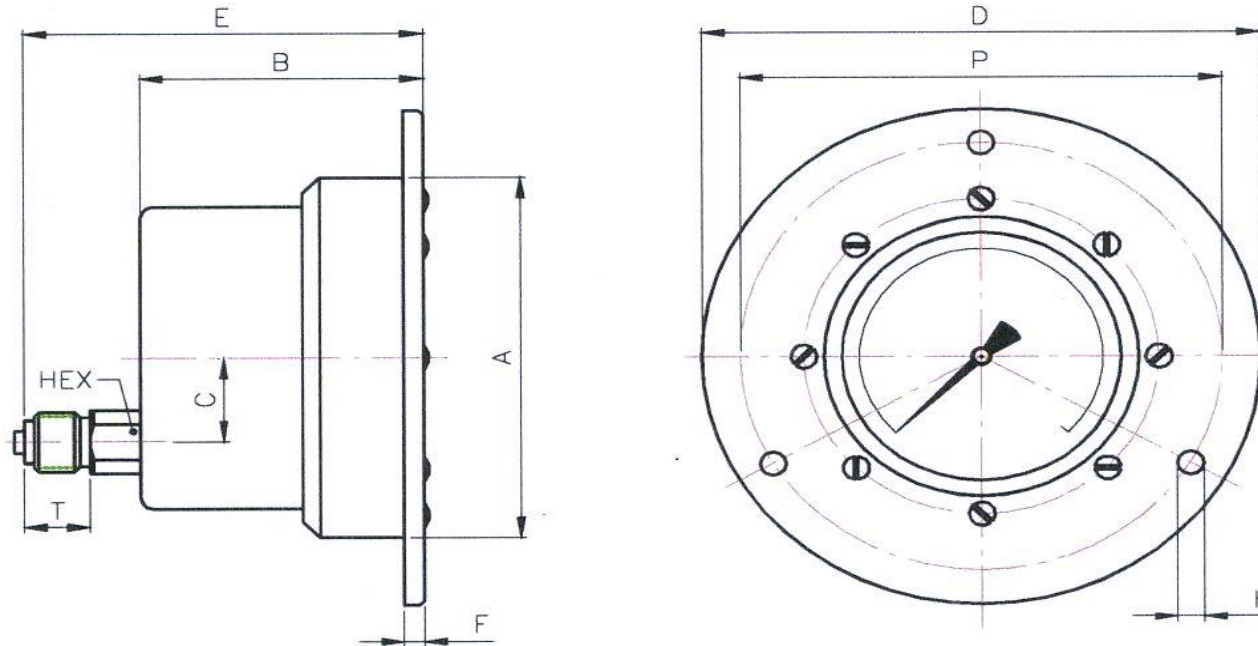




Ashford Instrumentation Ltd
 Tel: 01233 730999
 Fax: 01233 731133
 E-mail: sales@ashfordinstrumentation.com

Drawing Number: SSG2000M63BD432
 Product: Subsea Gauge
 Date: 19th October 2018
 Issue: 1
 Drawing Not To Scale

MODEL: 63mm, Panel Mount Front Flange Subsea Pressure Gauge - Depth Rating 2000m



Dimensions In Millimetres

	A	B	C	D	E	F	H	P	T	HEX			
63mm	80	66	18.5	110	89	4	5.2	95	13	14			

Specification

Housing: 316 Stainless Steel
 Wetted Parts: 316 Stainless Steel
 Process Connection: 1/4" or 1/2" BSP or NPT
 Accuracy: Class 1.6 & Class 1