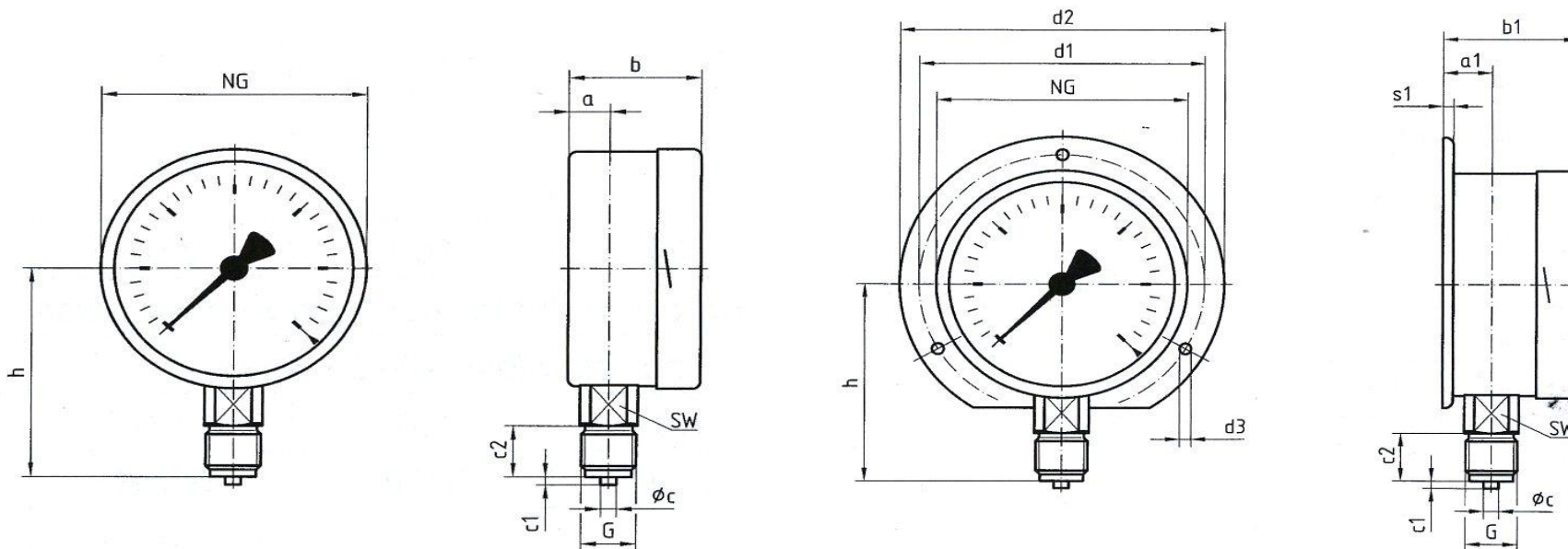




Ashford Instrumentation Ltd
 Tel: 01233 730999
 Fax: 01233 731133
 E-mail: sales@ashfordinstrumentation.com

Drawing Number: WS63BD402CWL
 Product: 63mm Pressure Gauge
 Date: 27 June 2013
 Issue: 1
 Drawing Not To Scale

MODEL: 63BD402CWL Bottom Entry & Surface Mount 3-Hole Back Flange



Dimensions In Millimetres

G	NG	h	b	a	c2	c1	φc	d1	d2	d3	b1	a1	s1
1/4" BSP	64.3	57	34	12	13	2	5	75	85	3.6	36	14	2

Specification

Case: 304 Stainless Steel
 Bezel: 304 Stainless Steel
 Wetted Parts: 316 Stainless Steel
 Mountng: Direct
 Accuracy: Class 1.6
 Window: Perspex
 Connection: 1/4" BSP Male