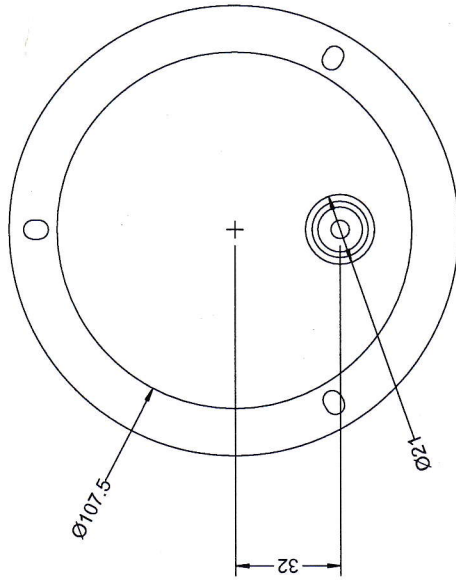
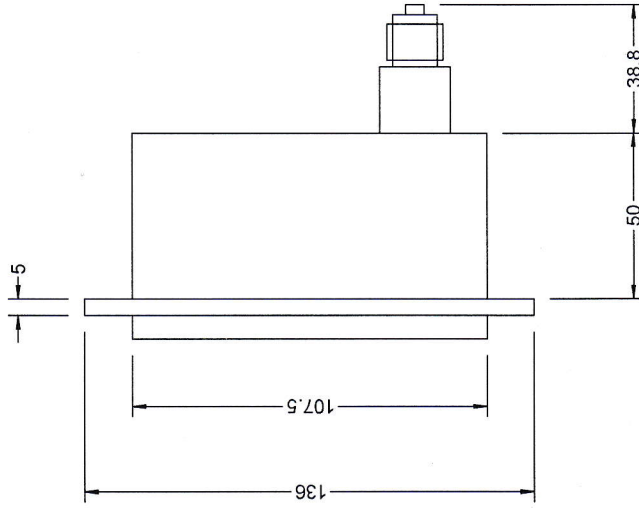


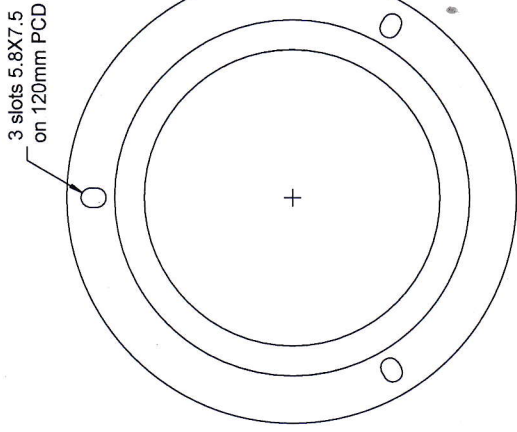
BACK



SIDE



FRONT



Drawn by: ABC		Date: 31/08/18	Approved by:	Date	Modification	Rev
Ashford Instrumentation Ltd Unit 2 & 3 Fairview Industrial Estate Hamstreet Road Ruckinge, Kent TN24 8HY		TITLE		2006SS100 GA		
MATERIAL	SCALE	SIZE	DIMENSIONS	TOLERANCE	DRG NO	REV
304 stainless steel		A4	mm UNLESS OTHERWISE STATED	+/- 0.2 UNLESS OTHERWISE STATED		