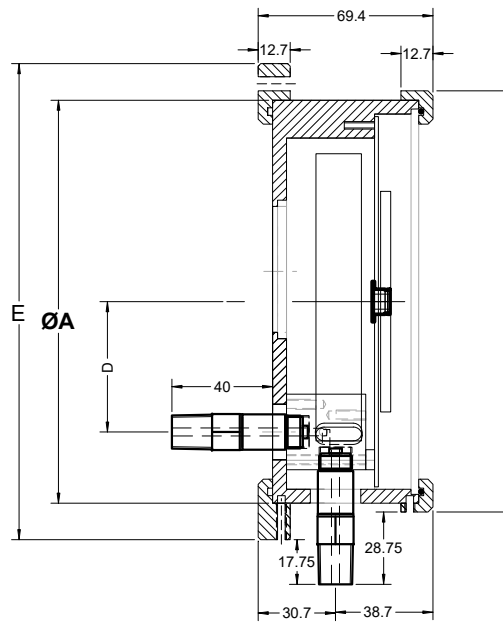
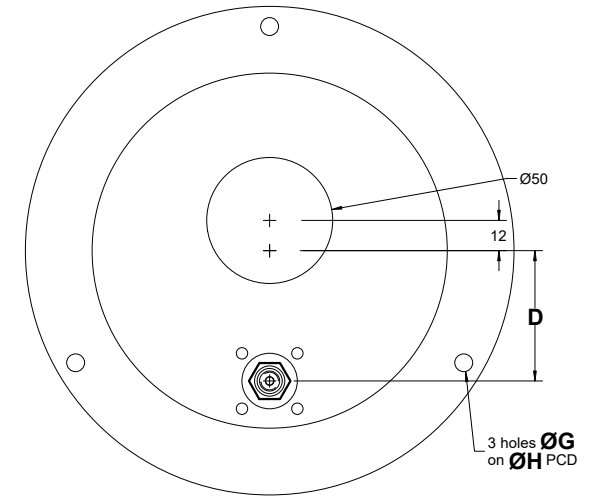


**FRONT**



**SECTION A - A**



**BACK**

Dimensions in mm						
Size	A	D	E	G	H	K
4.5"	123	33.75	152	5.6	136	130.5
6"	160	51.75	194	7.1	178	167.5
8.5"	224	51.75	259	7.1	246	231.5

Drawn by: <b>ABC</b>	Date: 07/02/20	Approved by:	Date	Modification	Rev
----------------------	----------------	--------------	------	--------------	-----

<b>Ashford Instrumentation Ltd</b> Hamstreet Road, Ruckinge, Kent TN26 2PL Tel: 0044 (0)1233 730909 Fax: 0044 (0)1233 730999			TITLE <b>GA Surface Mount 1/4" NPT</b>			
MATERIAL	SCALE	SIZE	DIMENSIONS	TOLERANCE	DRG NO	
		<b>A4</b>	mm UNLESS OTHERWISE STATED	<b>+/- 0.2</b> UNLESS OTHERWISE STATED	<b>TJW 591-5</b>	
					REV <b>0</b>	