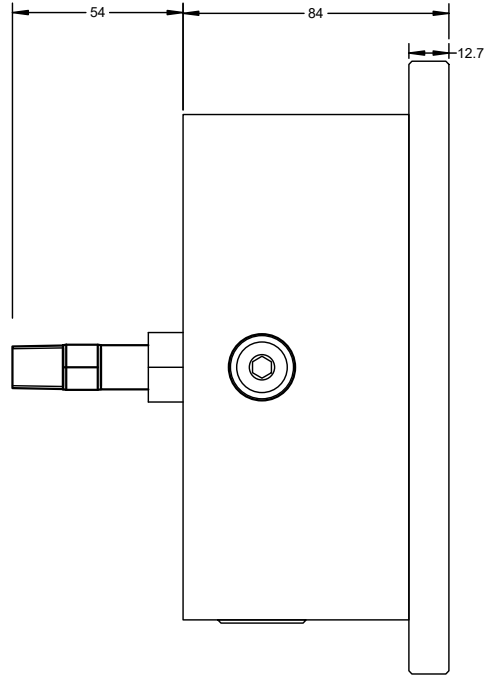
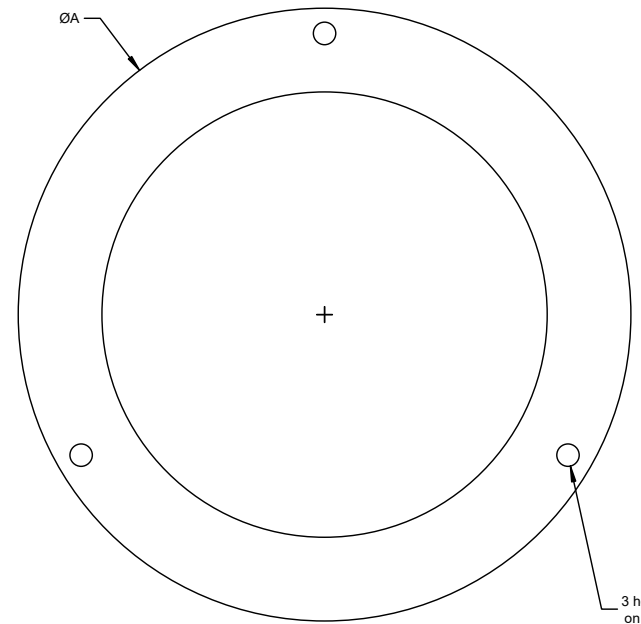


**BACK**

3 holes Ø7.1  
on ØB PCD



**LEFT SIDE**



**FRONT**

3 holes Ø7.1  
on ØB PCD

Drawn by: ABC	Date: 23/11/22	Approved by:	Date	Modification	Rev
---------------	----------------	--------------	------	--------------	-----

		TITLE GA 160MM BACK ENTRY CAISSON				
MATERIAL Acetal	SCALE NTS	SIZE A4	DIMENSIONS mm <small>UNLESS OTHERWISE STATED</small>	TOLERANCE +/- 0.2 <small>UNLESS OTHERWISE STATED</small>	DRG NO 592-GA2	REV 0