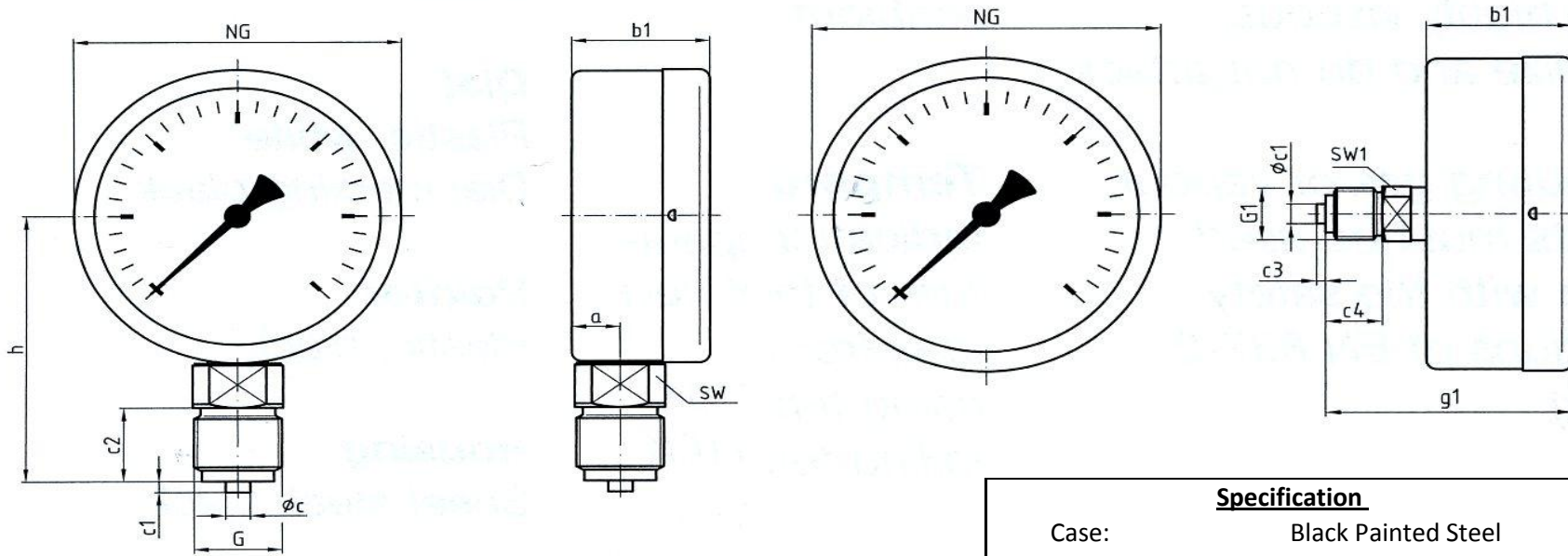




Ashford Instrumentation Ltd
 Tel: 01233 730999
 Fax: 01233 731133
 E-mail: sales@ashfordinstrumentation.com

Drawing Number: WS100BD201/211EXT
 Product: 100mm Pressure Gauge
 Date: 25 June 2013
 Issue: 1
 Drawing Not To Scale
 Dimensions In Millimetres

MODEL: 100BD201 & 100BD211 Slimline Series



Specification

Case: Black Painted Steel
 Bezel: Chrome / Stainless Steel
 Wetted Parts: Brass
 Mountng: Direct
 Accuracy: Class 1.6
 Window: Plastic
 Connection: 3/8" BSP Male

G	NG	h	b	b1	g1	a	c2	c1	φc	c3	c4	φc1
3/8" BSP	100	82	35.5	35.5	72	12	16	2	5.5	3	16	5.5