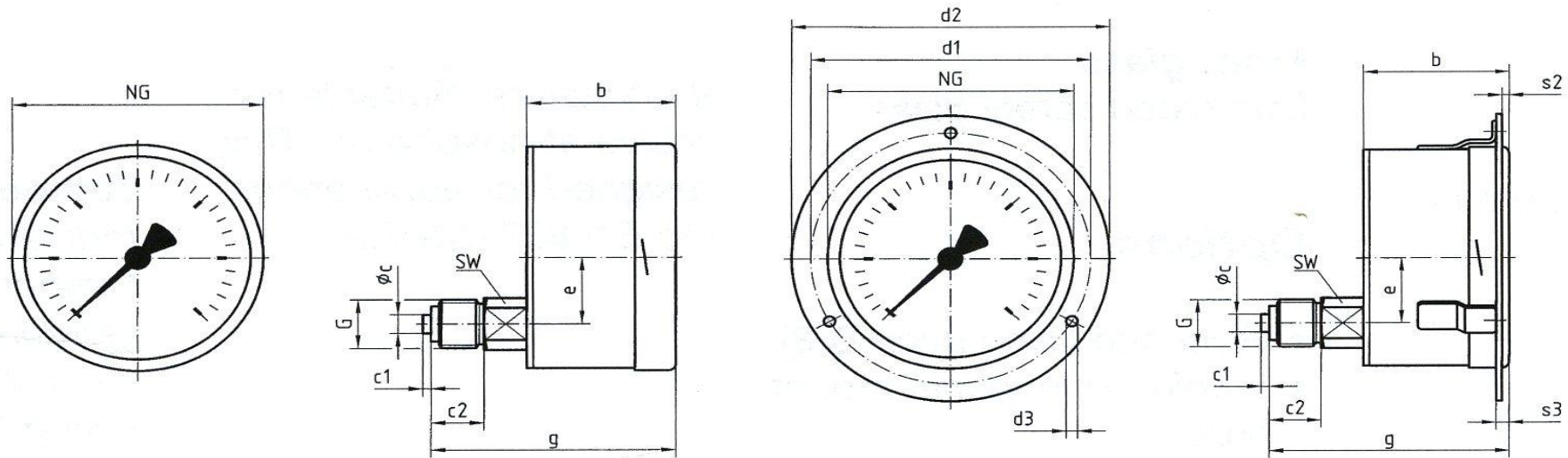




Ashford Instrumentation Ltd
 Tel: 01233 730999
 Fax: 01233 731133
 E-mail: sales@ashfordinstrumentation.com

Drawing Number: WS63BD512&532STK
 Product: 63mm Pressure Gauge
 Date: 27 June 2013
 Issue: 1
 Drawing Not To Scale

MODEL: 63mm Full Safety Pattern 63BD512 & 63BD532 Models



Specification

Case: 304 Stainless Steel
 Bezel: 304 Stainless Steel
 Wetted Parts: 316 Stainless Steel
 Mountng: Direct
 Accuracy: Class 1.6
 Window: Safety Glass
 Connection: 1/4" NPT Male

Dimensions In Millimetres

G	NG	g	b	e	c2	c1	φc	d1	d2	d3	s3	s2		
1/4" NPT	64.3	61	40	18	12	X	X	75	85	3.6	4	2.5		