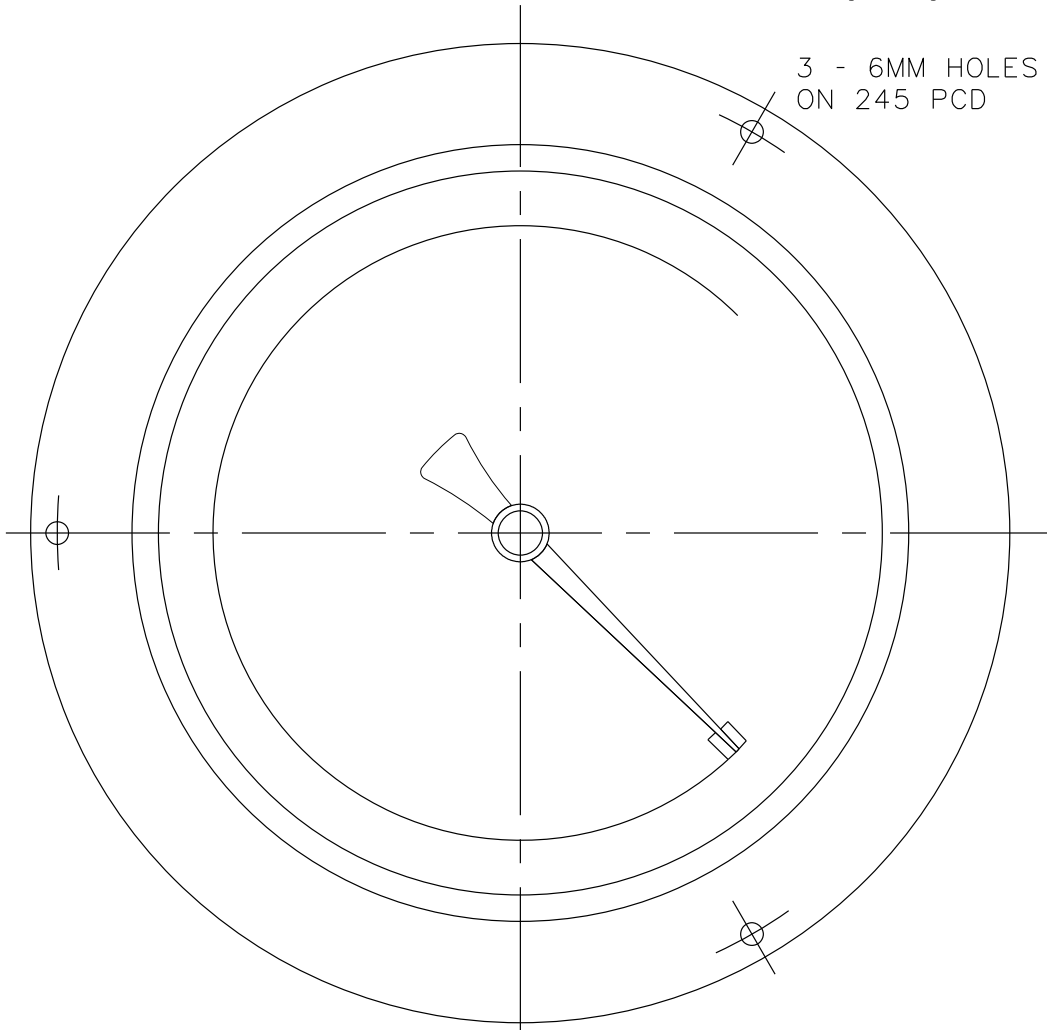
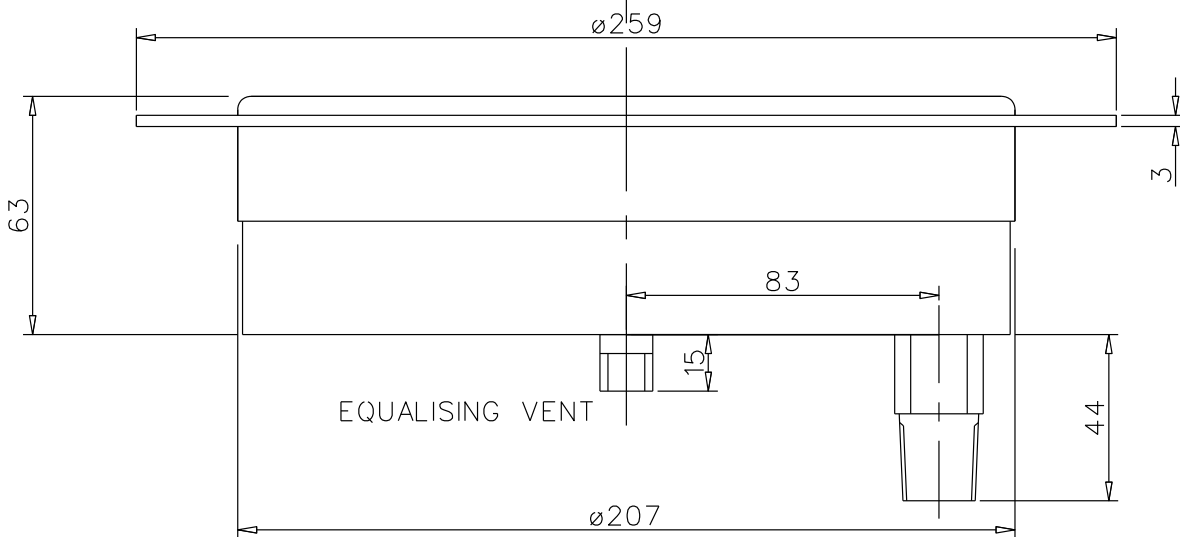


DRG.NO. A 1025

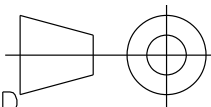
3 - 6MM HOLES
ON 245 PCD



REMOVE ALL SHARP EDGES IF IN DOUBT ASK



ALL DIMENSIONS IN mm
TOLERANCES ± 0.2 mm
UNLESS OTHERWISE STATED



ISSUE	AMENDMENT	DATE
1	ORIGINAL	17/07/09

SCALE:- N.T.S.

Ashford Instrumentation Ltd
0044 (0) 1233 730 999
sales@ashfordinstrumentation.com

Title	200mm PH CAISSON GAUGE
Date	17/07/09
Drawn By	S.S.
Appd.By	