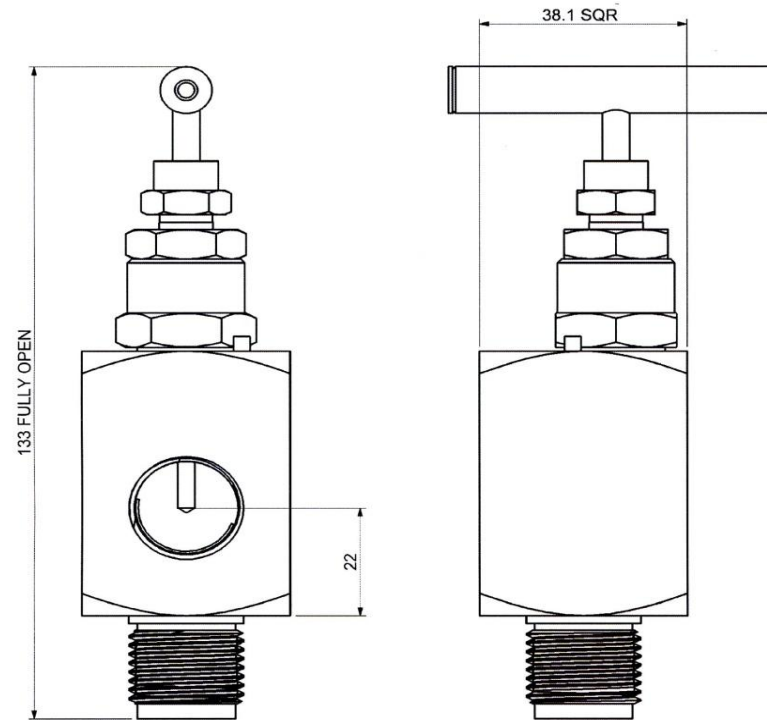




Ashford Instrumentation Ltd
 Tel: 01233 730999
 Fax: 01233 731133
 E-mail: sales@ashfordinstrumentation.com

Drawing Number: AIB1MF
 Product: Needle Valve
 Date: 1st January 2014
 Issue: 1
 Drawing Not To Scale
 Dimensions In Millimetres

MODEL: Generation 200 Male/Female Right Angled Needle Valve



To Ensure Product Is Supplied To The Above Dimensions Ensure Drawing Number Is Quoted On Any Purchase Order Raised. Unspecified Product May Vary.

Dimensions

--	--	--	--	--	--	--	--	--	--	--	--	--	--	--	--	--	--	--	--	--

Specification

Material: 316 Stainless Steel
 Pressure Rating: 400 Bar / 6000 PSI