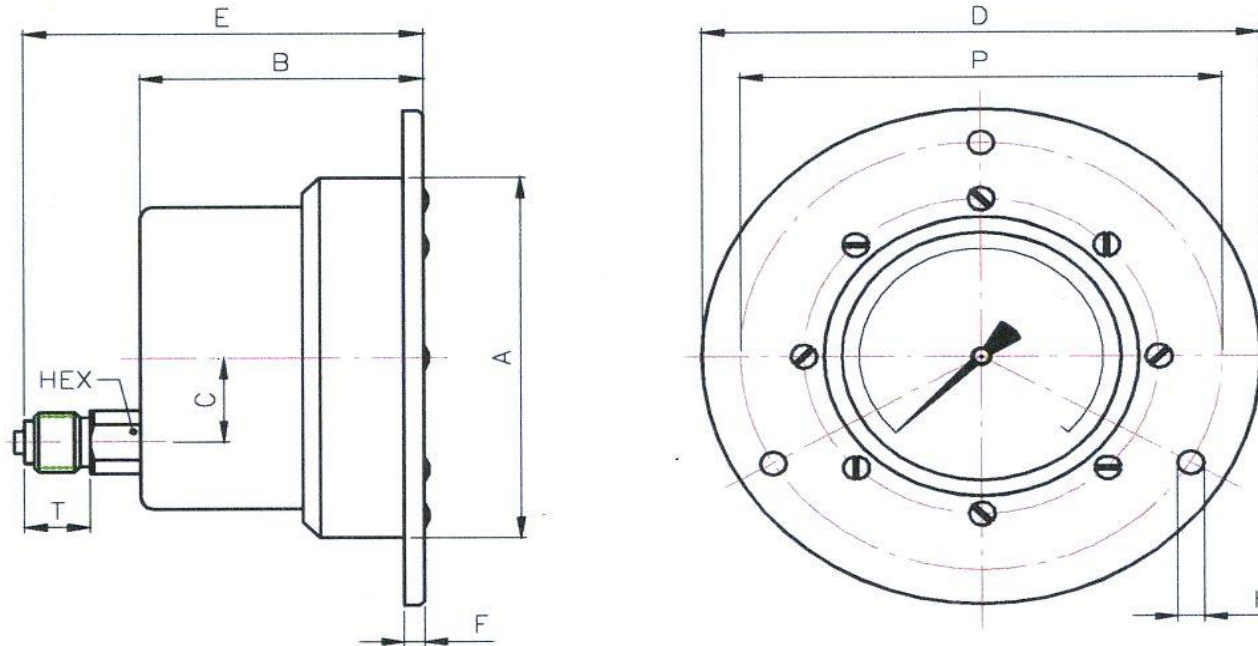




Ashford Instrumentation Ltd
 Tel: 01233 730999
 Fax: 01233 731133
 E-mail: sales@ashfordinstrumentation.com

Drawing Number: DMS600&700.432.01
 Product: Subsea Gauge
 Date: 15th January 2014
 Issue: 1
 Drawing Not To Scale

MODEL: 63mm, 100mm & 160mm Panel Mount Front Flange Subsea Pressure Gauge



Technical Note: 63mm Version Has 3-Hole Back Flange, 100mm & 160mm Version Has 4-Hole Back Flange

Dimensions In Millimetres

| | A | B | C | D | E | F | H | P | T | HEX | | | |
|-------|-----|----|------|-----|-----|---|-----|-----|----|-----|--|--|--|
| 63mm | 80 | 56 | 18.5 | 112 | 79 | 4 | 5.2 | 95 | 13 | 14 | | | |
| 100mm | 124 | 71 | 30 | 175 | 113 | 5 | 7 | 150 | 20 | 22 | | | |
| 160mm | 170 | 71 | 33 | 205 | 113 | 5 | 7 | 186 | 20 | 22 | | | |

Specification

Housing: 316 Stainless Steel
 Wetted Parts: 316 Stainless Steel
 Process Connection: 1/4" or 1/2" BSP or NPT
 Accuracy: Class 1.6 & Class 1