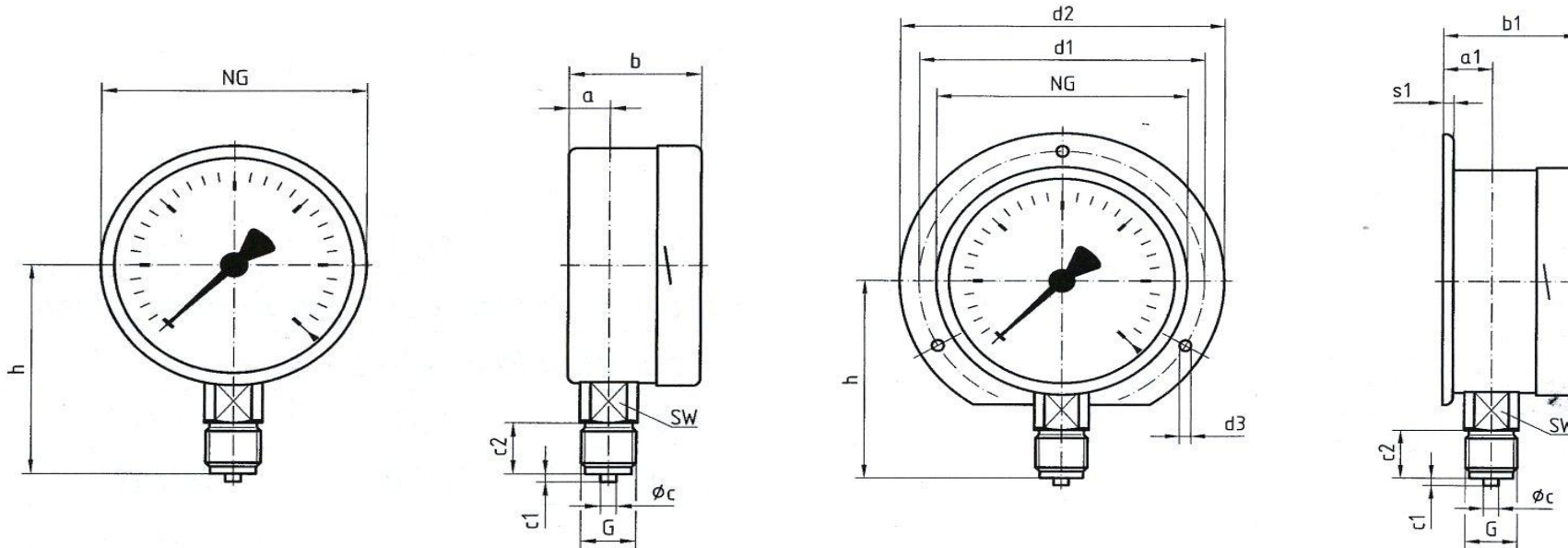




Ashford Instrumentation Ltd  
 Tel: 01233 730999  
 Fax: 01233 731133  
 E-mail: sales@ashfordinstrumentation.com

Drawing Number: WS100BD402STK  
 Product: 100mm Pressure Gauge  
 Date: 29 July 2013  
 Issue: 1  
 Drawing Not To Scale

**MODEL: Stiko 100BD402 Bottom Entry & Surface Mount 3-Hole Back Flange**



**Dimensions In Millimetres**

G	NG	h	b	a	c2	c1	φc	d1	d2	d3	b1	a1	s1
1/2" BSP	102	87	55	20	21	3	6	118	132	4.8	61.0	22.5	26

**Specification**

Case: 304 Stainless Steel  
 Bezel: 304 Stainless Steel  
 Wetted Parts: 316 Stainless Steel  
 Mountng: Direct  
 Accuracy: Class 1.0  
 Window: Instrument Glass  
 Connection: 1/2" BSP Male