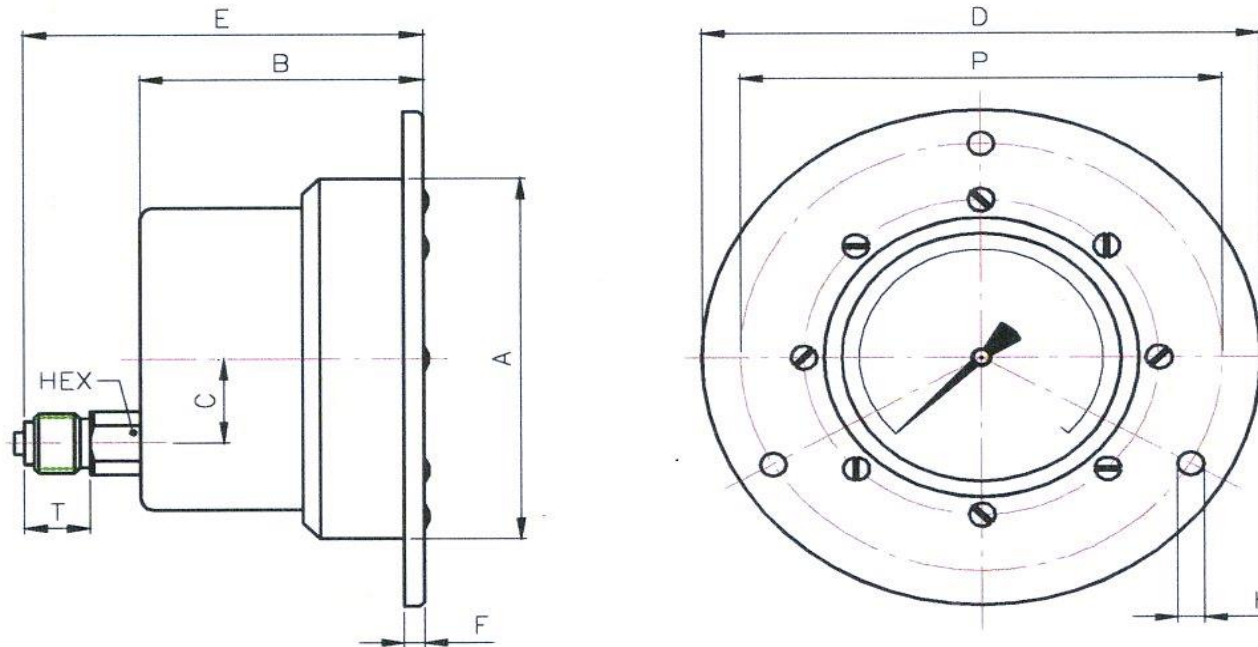




Ashford Instrumentation Ltd
 Tel: 01233 730999
 Fax: 01233 731133
 E-mail: sales@ashfordinstrumentation.com

Drawing Number: DMS600&700.432.01
 Product: Subsea Gauge
 Date: 15th January 2014
 Issue: 1
 Drawing Not To Scale

MODEL: 63mm, 100mm & 160mm Panel Mount Front Flange Subsea Pressure Gauge



Technical Note: 63mm Version Has 3-Hole Front Flange, 100mm & 160mm Version Has 4-Hole Front Flange

Dimensions In Millimetres

	A	B	C	D	E	F	H	P	T	HEX			
63mm	80	56	18.5	112	79	4	5.2	95	13	14			
100mm	124	71	30	175	113	5	7	150	20	22			
160mm	170	71	33	205	113	5	7	186	20	22			

Specification

Housing: 316 Stainless Steel
 Wetted Parts: 316 Stainless Steel
 Process Connection: 1/4" or 1/2" BSP or NPT
 Accuracy: Class 1.6 & Class 1